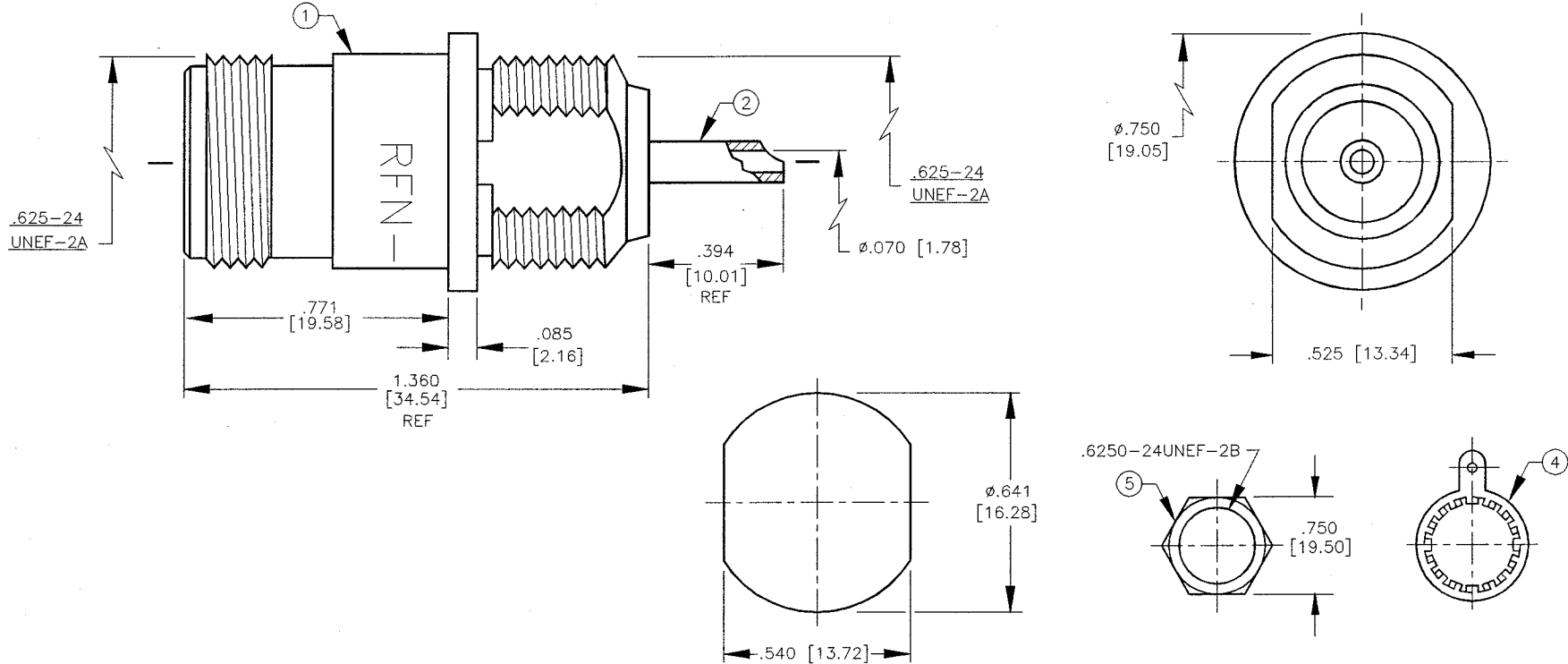


ENVELOPE / ASSEMBLY DRAWING

SPECIFICATION CONTROL DRAWING		REV	DESCRIPTION	DWN	DATE	APPROVED
THIS DRAWING CONTAINS INFORMATION PROPRIETARY TO RF INDUSTRIES, LTD. ANY UNAUTHORIZED USE OF THIS DRAWING IS EXPRESSLY PROHIBITED. ANY VIOLATION IS PUNISHABLE UNDER U.S. COPYRIGHT LAWS.		A2	REPLACES DRAWING #7642	KMM	10/12/92	J. BENZ
		B	GENERATE ENVELOPE DRAWING	WD	3/30/94	F. VIERA
		C	STANDARDIZE	KMM	7/8/94	R. RICE
		D	CHANGE THREAD RELIEF DIM / ADD CONTACT OD DIM.	CZS	11/18/97	R. RICE

ALL DIMENSIONS ARE REFERENCE ONLY



SUGGESTED MOUNTING CONFIGURATION

NUT & SOLDER LUG NOT TO SCALE

SPECIFICATIONS:

IMPEDANCE: 50 OHMS
 WORKING VOLTAGE: 1000 VRMS @ SEA LEVEL
 FREQUENCY RANGE: 0-11 GHz

DIMENSIONS ARE IN INCHES AND [MILLIMETERS]

UNLESS OTHERWISE NOTED TOLERANCES ARE:

DECIMALS DIAMETER

RF connectors
 DIVISION OF RF INDUSTRIES, LTD.

7610 MIRAMAR RD
 SAN DIEGO, CA 92126
 (619)549-6340
 (619)549-6345 FAX

RFN-1022-3

N FEMALE LONG BULKHEAD CONNECTOR

ITEM	DESCRIPTION	QTY	MATERIAL	FINISH	APPROVALS	DATE
5	HEX NUT (HEX-625-24E)	1	BRASS	SILVER		
4	LOCK SOLDER LUG (LKW-630)	1	BRASS	SILVER		
3	DIELECTRIC	2	*TEFLON	NONE		
2	CONTACT	1	BRASS	GOLD		
1	BODY	1	BRASS	SILVER		

DRAWN	C. ZUNIGA	11/18/97
CHECKED	<i>P. Breaux</i>	11/21/97
ORJ DRAWN	P. BREAUX	7/17/92

SIZE	A	CABLE GROUP	N/A	DWG NO.	7770	REV	D
SCALE:	2:1	CAD FILE	13ARC B	SHEET 1 OF 1			