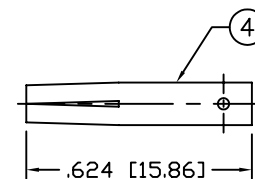
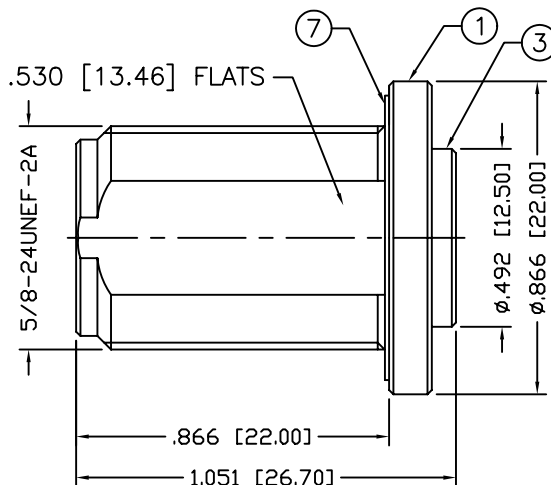
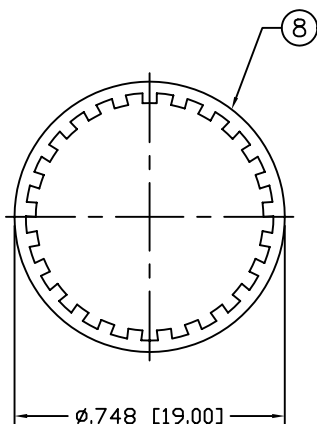
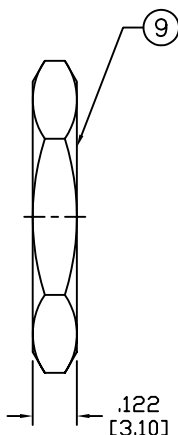


THIS DRAWING CONTAINS INFORMATION PROPRIETARY TO RF INDUSTRIES.
 ANY UNAUTHORIZED USE OF THIS DRAWING IS EXPRESSLY PROHIBITED
 WITHOUT WRITTEN PERMISSION FROM RF INDUSTRIES.
 ANY VIOLATION IS PUNISHABLE UNDER U.S. COPYRIGHT LAWS.

ALL DIMENSIONS ARE REFERENCE ONLY

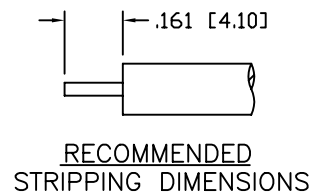
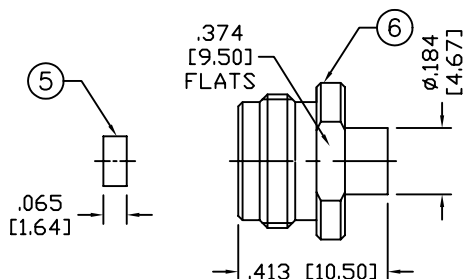
PART NO.		RFN-1022-2SR2		
REV	DESCRIPTION	DWN	DATE	APPROVED
-	ENGINEERING RELEASE	CZS	11/12/03	JDMc



RECOMMENDED CRIMP DIE: .100"

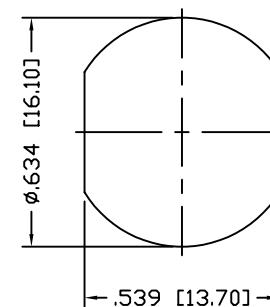
SPECIFICATIONS:

IMPEDANCE: 50 Ohms
 FREQUENCY RANGE: 0-11 GHz
 VSWR: 1.3 Max. @ 9 GHz
 INSERTION LOSS: .06 dB Max. X \sqrt{f} GHz
 WORKING VOLTAGE: 1k V rms @ sea level
 TEMPERATURE RANGE: -65°C TO 85°C
 INSULATION RESISTANCE: 5k M Ohms min.
 FOR .141 SEMI RIGID, RG-402/U & BELDEN 1673A CABLE



RECOMMENDED STRIPPING DIMENSIONS

RECOMMENDED MOUNTING HOLE



1	BODY	1	BRASS	SILVER 80 μ "	008974	UNLESS OTHERWISE SPECIFIED:
2	INSULATOR	1	PTFE	---		
3	INNER BODY	1	BRASS	SILVER 80 μ "		
4	CONTACT	1	PHOS BRONZE	GOLD, 3 μ "		
5	INSULATOR	1	PTFE	---		
6	SOLDER NUT	1	BRASS	GOLD, 3 μ "		
7	GASKET	1	SILICONE	---		
8	LOCK WASHER	1	BRASS	SILVER 80 μ "		
9	HEX NUT	1	BRASS	SILVER 80 μ "		
10					DRAWN	
11					C. ZUNIGA	1/10/06
12					CHECKED	
13					ORJ DRAWN	
14					C. ZUNIGA	1/10/06
#	DESCRIPTION	QTY	MATERIAL	FINISH	APPROVALS	DATE

UNLESS OTHERWISE SPECIFIED:
 DIMENSIONS ARE IN INCHES AND [MILLIMETERS]
 UNLESS OTHERWISE NOTED TOLERANCES ARE:
 DECIMALS DIAMETER

RF connectors
 DIVISION OF RF INDUSTRIES, LTD.

7610 MIRAMAR RD
 SAN DIEGO, CA 92126
 (858) 549-6340
 (858) 549-6345 FAX

N JACK
 BULKHEAD, DIRECT SOLDER

SIZE	CABLE GROUP	DWG NO.	REV
A	SR2	RFN-1022-2SR2	-

SCALE: NTS CAD FILE OUTLINE SHEET 1 OF 1