

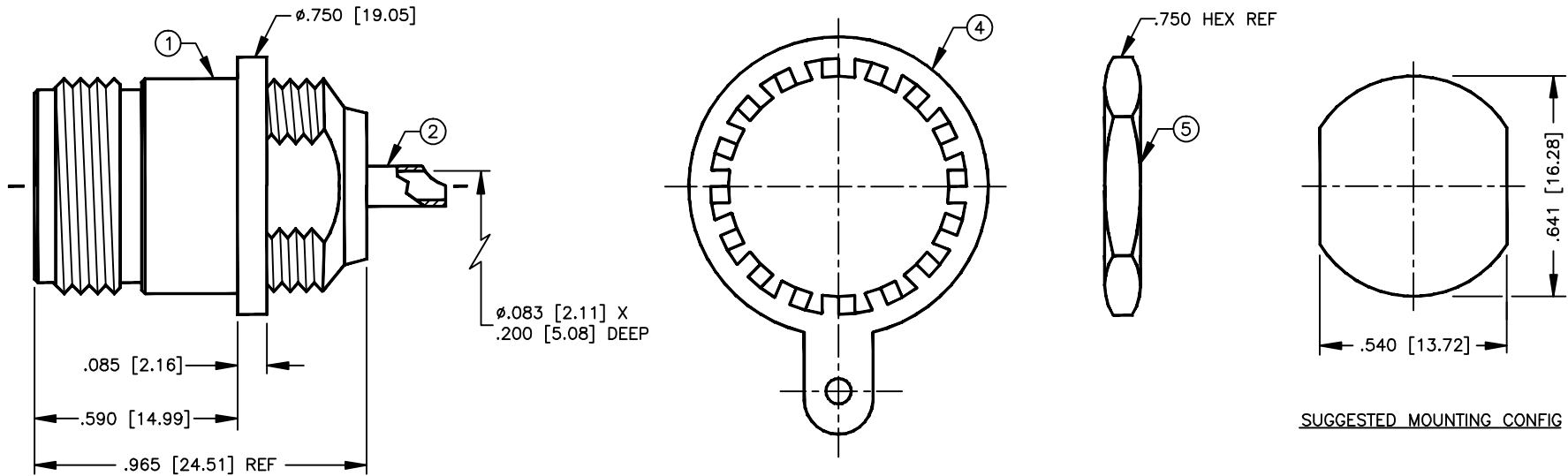
SPECIFICATION CONTROL DRAWING

THIS DRAWING CONTAINS INFORMATION PROPRIETARY TO RF INDUSTRIES, LTD. ANY UNAUTHORIZED USE OF THIS DRAWING IS EXPRESSLY PROHIBITED. ANY VIOLATION IS PUNISHABLE UNDER U.S. COPYRIGHT LAWS.

REV	DESCRIPTION	DWN	DATE	APPROVED
D	ENGINEERING RELEASE	PB	12/21/92	J. BENZ
F	CREATE SECTION DRAWING	KMM	8/23/94	R. RICE
G	CHG TO 1 PIECE DIELECTRIC / CHG PIN CONFIGURATION	KMM	8/22/96	R. RICE
H	ADD THREAD LENGTH TO BODY / REMOVE PART NUMBER	CZS	12/8/98	R. RICE

ALL DIMENSIONS ARE REFERENCE ONLY

000000



SPECIFICATIONS:

IMPEDANCE: 50 OHMS
 WORKING VOLTAGE: 1000 VRMS @ SEA LEVEL
 FREQUENCY RANGE: 0-11 GHz
 INTERFACE PER MIL-STD-348A, SECTION 304.2

DIMENSIONS ARE IN INCHES AND [MILLIMETERS]

UNLESS OTHERWISE NOTED TOLERANCES ARE:
 DECIMALS DIAMETER

RF connectors
 DIVISION OF RF INDUSTRIES, LTD.

7610 MIRAMAR RD
 SAN DIEGO, CA 92126
 (619)549-6340
 (619)549-6345 FAX

RFN-1022-1

N FEMALE BULKHEAD W / DOUBLE D-FLAT

ITEM	DESCRIPTION	QTY	MATERIAL	FINISH
5	HEX NUT [HEX-625-24E]	1	BRASS	SILVER
4	LOCKING SOLDER LUG [LSL-630]	1	BRASS	SILVER
3	DIELECTRIC	1	PTFE	NONE
2	CONTACT	1	BRASS	GOLD
1	BODY	1	BRASS	SILVER

DRAWN C. ZUNIGA	12/8/98
CHECKED	
ORJ DRAWN S. SMITH	12/7/89
APPROVALS	DATE

SIZE A	CABLE GROUP N/A	DWG NO. 7880	REV H
SCALE: 2:1		CAD FILE 13ARC B	SHEET 1 OF 1