

# ENVELOPE / ASSEMBLY DRAWING

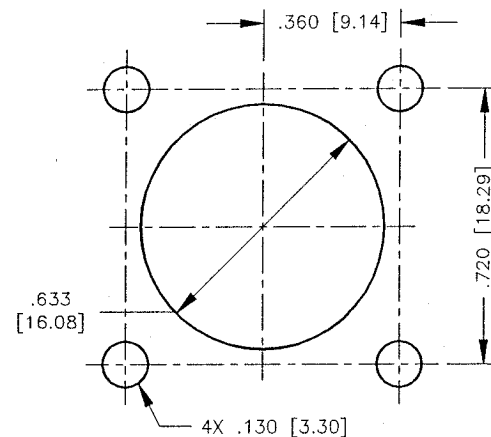
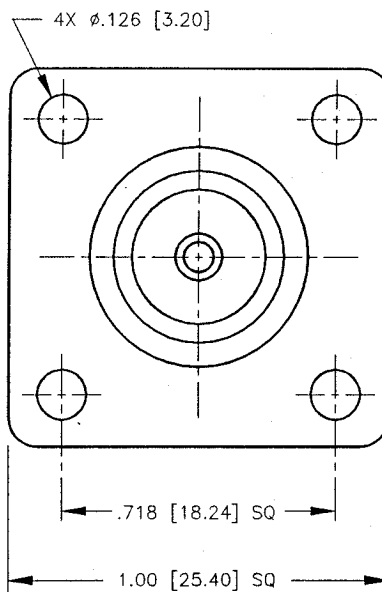
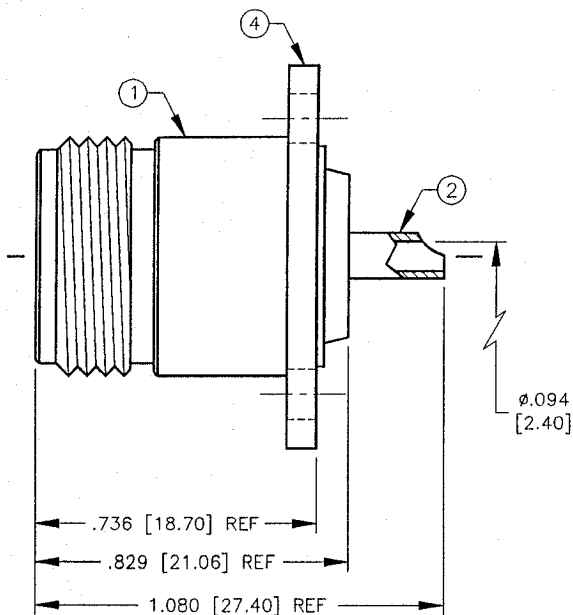
008974

## SPECIFICATION CONTROL DRAWING

THIS DRAWING CONTAINS INFORMATION PROPRIETARY TO RF INDUSTRIES, LTD. ANY UNAUTHORIZED USE OF THIS DRAWING IS EXPRESSLY PROHIBITED. ANY VIOLATION IS PUNISHABLE UNDER U.S. COPYRIGHT LAWS.

REV	DESCRIPTION	DWN	DATE	APPROVED
A	ENGINEERING RELEASE	CZS	6/4/99	R. RICE

ALL DIMENSIONS ARE REFERENCE ONLY



SUGGESTED MOUNTING CONFIG

### SPECIFICATIONS:

IMPEDANCE: 50 OHMS  
 WORKING VOLTAGE: 1000 VRMS @ SEA LEVEL  
 FREQUENCY RANGE: 0-11 GHz  
 INTERFACE PER MIL-STD-348A, SECTION 304.2

DIMENSIONS ARE IN INCHES AND [MILLIMETERS]

UNLESS OTHERWISE NOTED TOLERANCES ARE:  
 DECIMALS DIAMETER

**RFconnectors**  
 DIVISION OF RF INDUSTRIES, LTD.

7610 MIRAMAR RD  
 SAN DIEGO, CA 92126  
 (619)549-6340  
 (619)549-6345 FAX

## RFN-1021

N FEMALE FRONT MOUNT 4 HOLE FLANGE

ITEM	DESCRIPTION	QTY	MATERIAL	FINISH
4	PRESS FIT FLANGE	1	BRASS	SILVER
3	DIELECTRIC	1	TEFLON	NONE
2	CONTACT	1	PHOS BRONZE	GOLD
1	BODY	1	BRASS	SILVER

DRAWN C. ZUNIGA	6/4/99
CHECKED <i>C. Zuniga</i>	6/4/99
ORJ DRAWN C. ZUNIGA	6/4/99
APPROVALS	DATE

SIZE A	CABLE GROUP N/A	DWG NO. 9184	REV A
SCALE: 2:1		CAD FILE 13ARC B	SHEET 1 OF 1