

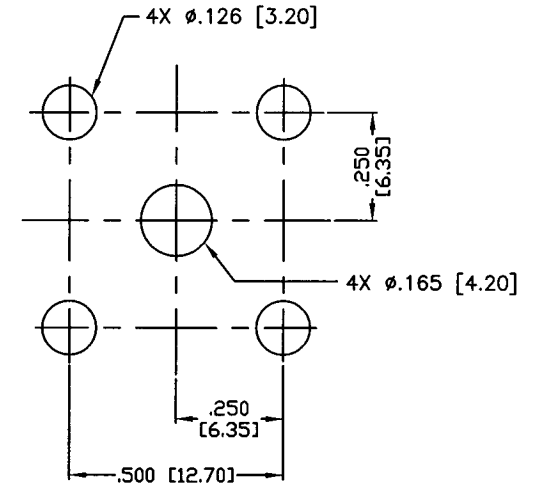
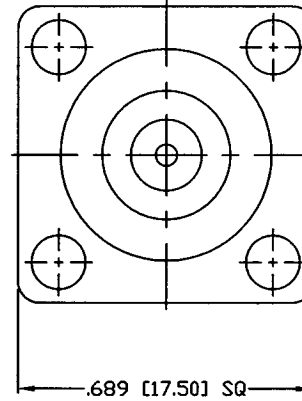
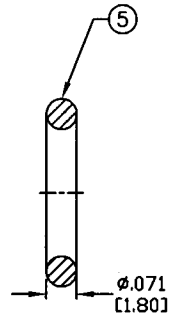
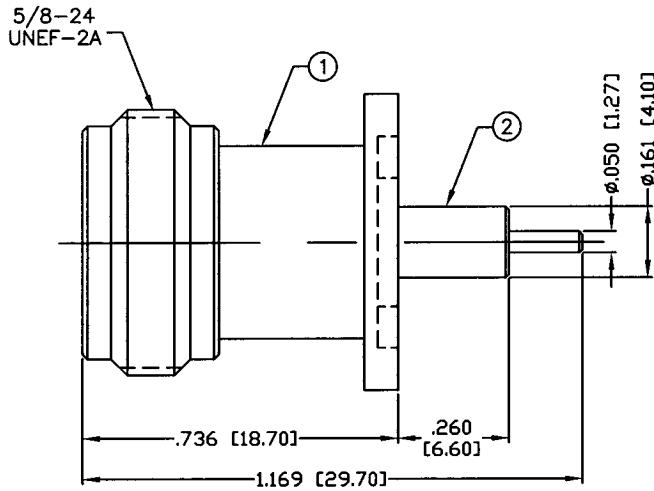
THIS DRAWING CONTAINS INFORMATION PROPRIETARY TO RF INDUSTRIES.
 ANY UNAUTHORIZED USE OF THIS DRAWING IS EXPRESSLY PROHIBITED
 WITHOUT WRITTEN PERMISSION FROM RF INDUSTRIES.
 ANY VIOLATION IS PUNISHABLE UNDER U.S. COPYRIGHT LAWS.

ALL DIMENSIONS ARE REFERENCE ONLY

PART NO.

RFN-1021-5

REV	DESCRIPTION	DWN	DATE	APPROVED
A	ENGINEERING RELEASE	CZS	7/17/98	R. RICE
B	CHANGE FORMAT, SPECS & DWG # 8889	GGG	1/21/02	JDMc



RECOMMENDED MOUNTING CONFIGURATION

SPECIFICATIONS:

IMPEDANCE: 50 Ohms
 FREQUENCY RANGE: 0-11 GHz
 WORKING VOLTAGE: 1k V rms @ sea level
 TEMPERATURE RANGE: -65°C TO 85°C
 INSULATION RESISTANCE: 5k M Ohms min.

1	BODY	1	BRASS	NICKEL, 100 μ"
2	INSULATOR	1	PTFE	---
3	PIN	1	PHOS BRONZE	GOLD, 3 μ"
4	RING	1	BRASS	NICKEL, 100 μ"
5	GASKET	1	SILICONE	---
6				
7				
8				
9				
10				
11				
12				
13				
14				
#	DESCRIPTION	QTY	MATRL	FINISH

008974	
DRAWN	G. GALLEGOS
CHECKED	<i>[Signature]</i>
ORJ DRAWN	C. ZUNIGA
DATE	3/17/98

UNLESS OTHERWISE SPECIFIED:

- REMOVE ALL BURRS
- BREAK ALL CORNERS & EDGES .005 R. MAX.
- CHAMFER 1ST & LAST THREADS 45°
- SURFACE ROUGHNESS 63 FINISH MIL-STD-10
- DIAMETERS ON COMMON CENTERS TO BE CONCENTRIC WITHIN .002 T.I.R.
- ALL DIMENSIONS ARE AFTER PLATING.

DIMENSIONS ARE IN INCHES AND [MILLIMETERS]
 UNLESS OTHERWISE NOTED TOLERANCES ARE:

DECIMALS	DIAMETER
.xxx±.003 [.08]	.xxx±.001 [.03]
.xx±.005 [.13]	.xx±.003 [.08]

RF

7610 MIRAMAR RD
 SAN DIEGO, CA 92126
 (858) 549-6340
 (858) 549-6345 FAX

DIVISION OF RF INDUSTRIES, LTD.

N JACK

MINI 4 HOLE FLANGE

SIZE A	CABLE GROUP N/A	DWG NO. RFN-1021-5	REV B
------------------	---------------------------	------------------------------	-----------------

SCALE: NTS CAD FILE OUTLINE SHEET 1 OF 1