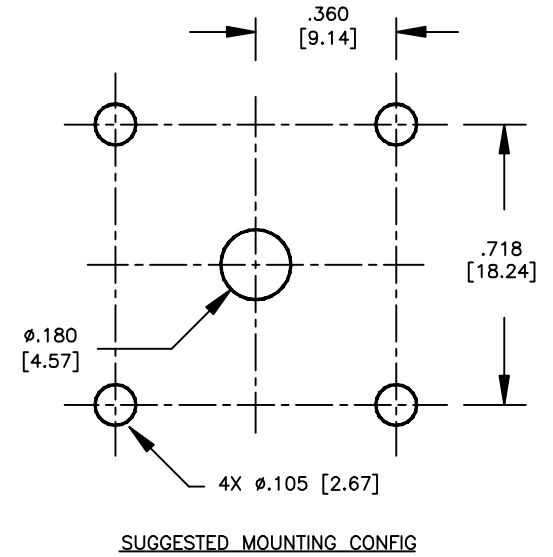
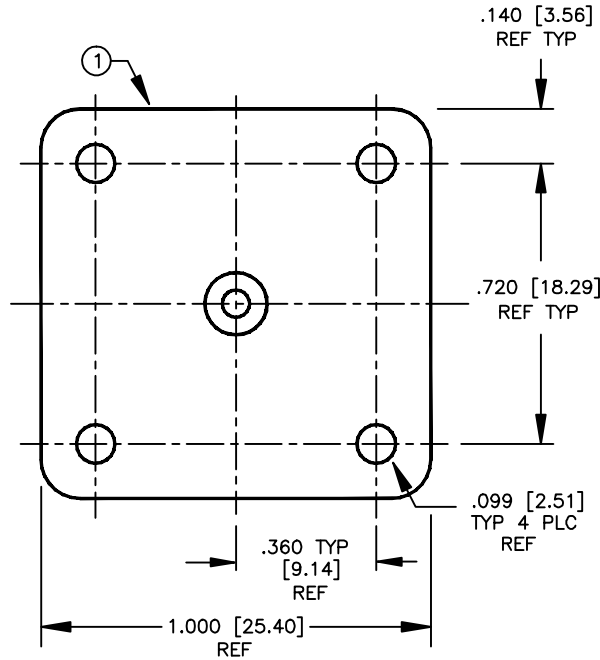
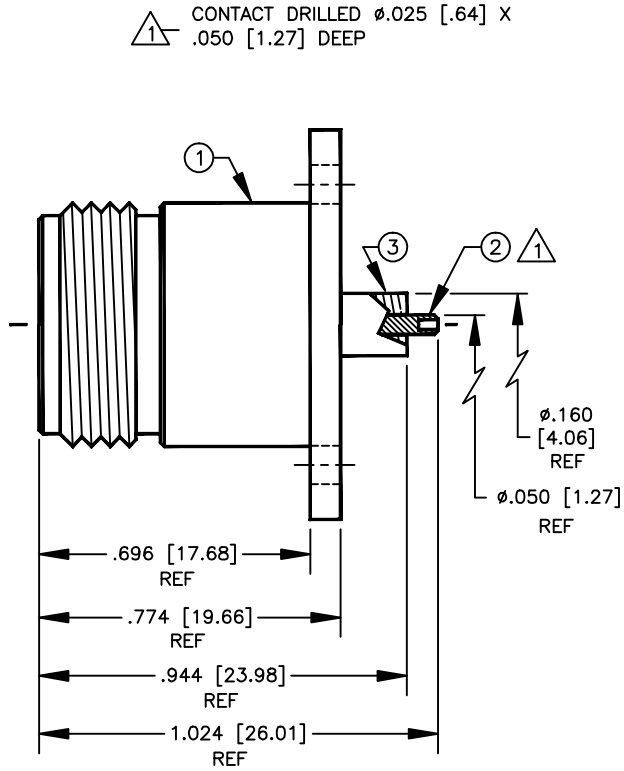


SPECIFICATION CONTROL DRAWING

THIS DRAWING CONTAINS INFORMATION PROPRIETARY TO RF INDUSTRIES, LTD. ANY UNAUTHORIZED USE OF THIS DRAWING IS EXPRESSLY PROHIBITED. ANY VIOLATION IS PUNISHABLE UNDER U.S. COPYRIGHT LAWS.

REV	DESCRIPTION	DWN	DATE	APPROVED
A	ENGINEERING RELEASE	KMM	10/12/95	R. RICE
B	ENGINEERING RELEASE \ REMOVE "O" RING \ CHG LENGTH	KMM	10/25/95	R. RICE
C	ENGINEERING RELEASE \ ADD HOLE TO EXTENDED CONTACT	KMM	12/1/96	R. RICE



SPECIFICATIONS:

IMPEDANCE: 50 OHMS
 VOLTAGE RATING: 1000 VOLTS PEAK
 FREQUENCY RANGE: 0-3 GHz

DIMENSIONS ARE IN INCHES AND [MILLIMETERS]
 UNLESS OTHERWISE NOTED TOLERANCES ARE:
 DECIMALS DIAMETER
 .XXX ±.003 [.08] ±.001

DRAWN	K. MAXWELL	2/1/96
CHECKED		
ISSUED	H. HILL	2/1/96
ORJ DRAWN	K. MAXWELL	10/12/95
APPROVALS		DATE

RFconnectors
 DIVISION OF RF INDUSTRIES, LTD.

7610 MIRAMAR RD
 SAN DIEGO, CA 92126
 (619)549-6340
 (619)549-6345 FAX

RFN-1021-11

N FEMALE PANEL MOUNT W/ EXT DIE & POST TERMINAL

SIZE	CABLE GROUP	DWG NO.	REV
A	N/A	8567	C

ITEM	DESCRIPTION	QTY	MATERIAL	FINISH	APPROVALS	DATE	SCALE:	CAD FILE	SHEET	OF
4	PRESS FIT SLEEVE	1	BRASS	NICKEL			2:1	13ARC 220	1	1
3	DIELECTRIC	1	PTFE	NONE						
2	CONTACT	1	BRASS	GOLD						
1	BODY	1	BRASS	NICKEL						