

ENVELOPE / ASSEMBLY DRAWING

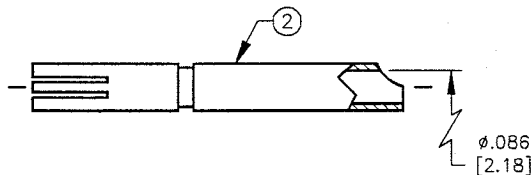
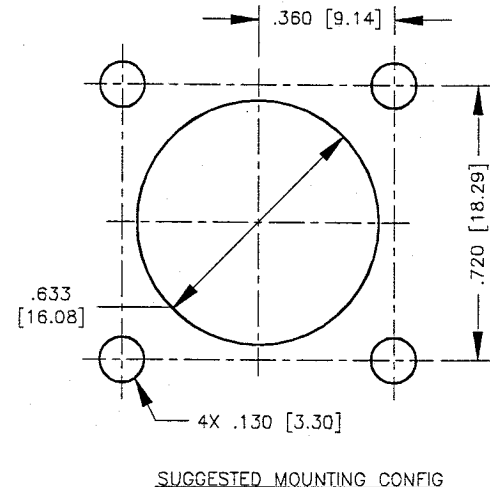
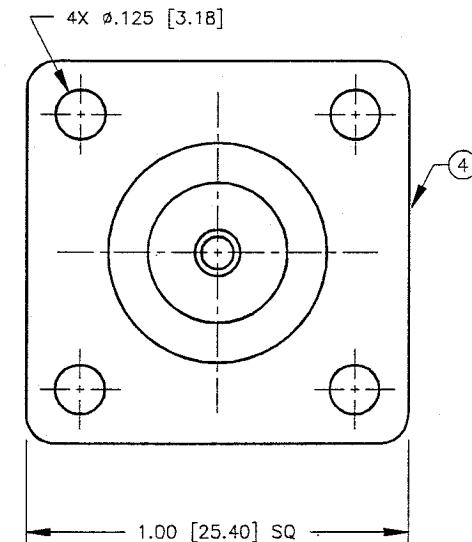
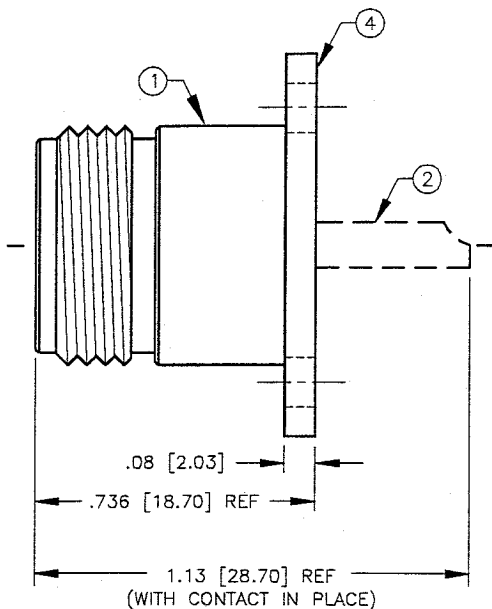
008974

SPECIFICATION CONTROL DRAWING

THIS DRAWING CONTAINS INFORMATION PROPRIETARY TO RF INDUSTRIES, LTD. ANY UNAUTHORIZED USE OF THIS DRAWING IS EXPRESSLY PROHIBITED. ANY VIOLATION IS PUNISHABLE UNDER U.S. COPYRIGHT LAWS.

REV	DESCRIPTION	DWN	DATE	APPROVED
A	ENGINEERING RELEASE	CZS	9/2/99	R. RICE

ALL DIMENSIONS ARE REFERENCE ONLY



SPECIFICATIONS:

IMPEDANCE: 50 OHMS
 WORKING VOLTAGE: 1000 VRMS @ SEA LEVEL
 FREQUENCY RANGE: 0-11 GHz
 INTERFACE PER MIL-STD-348, SECTION 304.2

DIMENSIONS ARE IN INCHES AND [MILLIMETERS]
 UNLESS OTHERWISE NOTED TOLERANCES ARE:
 DECIMALS DIAMETER

RF connectors
 DIVISION OF RF INDUSTRIES, LTD.

7610 MIRAMAR RD
 SAN DIEGO, CA 92126
 (858) 549-6340
 (858) 549-6345 FAX

RFN-1021-1

N FEMALE 4 HOLE FLANGE WITH REMOVABLE CAPTIVATED CONTACT

ITEM	DESCRIPTION	QTY	MATERIAL	FINISH
4	PRESS FIT FLANGE	1	BRASS	SILVER
3	DIELECTRIC	1	TEFLON	NONE
2	CONTACT	1	PHOS BRONZE	GOLD
1	BODY	1	BRASS	SILVER

DRAWN	C. ZUNIGA	9/2/99
CHECKED	<i>C. Zuniga</i>	9/2/99
DESIGNED	C. ZUNIGA	9/2/99
APPROVALS	DATE	

SIZE	CABLE GROUP	DWG NO.	REV
A	N/A	9241	A
SCALE:	2:1	CAD FILE	13ARC B
			SHEET 1 OF 1