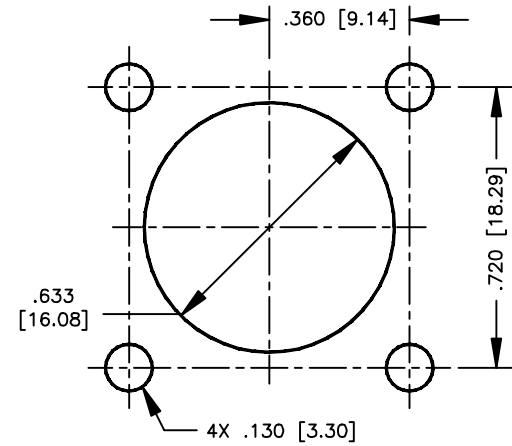
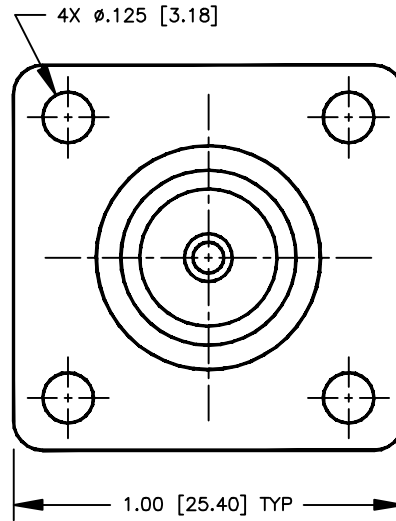
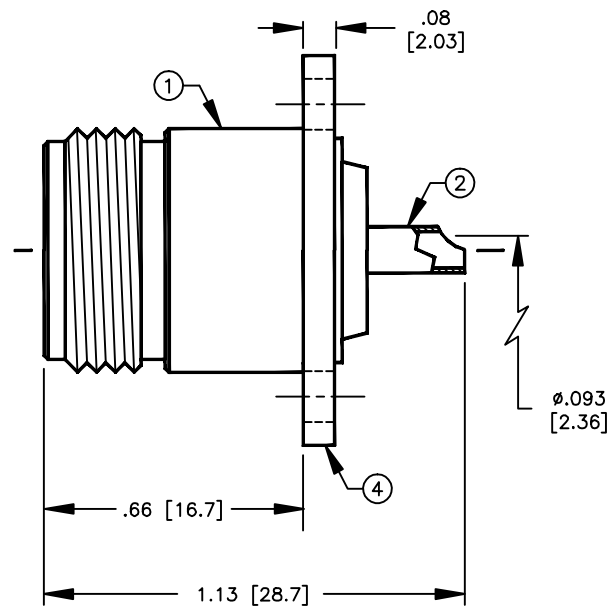


SPECIFICATION CONTROL DRAWING

THIS DRAWING CONTAINS INFORMATION PROPRIETARY TO RF INDUSTRIES, LTD. ANY UNAUTHORIZED USE OF THIS DRAWING IS EXPRESSLY PROHIBITED. ANY VIOLATION IS PUNISHABLE UNDER U.S. COPYRIGHT LAWS.

REV	DESCRIPTION	DWN	DATE	APPROVED
A	ENGINEERING RELEASE	CZS	11/23/98	R. RICE
B	CHANGE TOLERANCES	CZS	2/3/99	R. RICE
C	NOW CONNECTOR IS NICKEL PLATED	CZS	4/21/99	R. RICE
D	CHANGE LENGTHS	KMM	5/5/99	R. RICE

008974



SUGGESTED MOUNTING CONFIG

SPECIFICATIONS:

IMPEDANCE: 50 OHMS
 WORKING VOLTAGE: 1000 VRMS @ SEA LEVEL
 FREQUENCY RANGE: 0-11 GHZ

DIMENSIONS ARE IN INCHES AND [MILLIMETERS]

UNLESS OTHERWISE NOTED TOLERANCES ARE:

DECIMALS DIAMETER
 .XXX±.008 [.20] .XXX±.001 [.03]
 .XX±.016 [.41] .XX±.003 [.08]
 ANGLES: ±1°

DRAWN K. MAXWELL 5/5/99
 CHECKED
 ORJ DRAWN C. ZUNIGA 11/23/98

RFconnectors
 DIVISION OF RF INDUSTRIES, LTD.

7610 MIRAMAR RD
 SAN DIEGO, CA 92126
 (619)549-6340
 (619)549-6345 FAX

RFN-1021-03

N FEMALE FRONT MNT 4 HOLE FLANGE

ITEM	DESCRIPTION	QTY	MATERIAL	FINISH
4	PRESS FIT FLANGE	1	BRASS	NICKEL
3	DIELECTRIC	1	PTFE	NONE
2	CONTACT	1	BeCu	GOLD
1	BODY	1	BRASS	NICKEL

SIZE	CABLE GROUP	DWG NO.	REV
A	N/A	8977	D
SCALE: 2:1		CAD FILE 13ARC B	SHEET 1 OF 1