

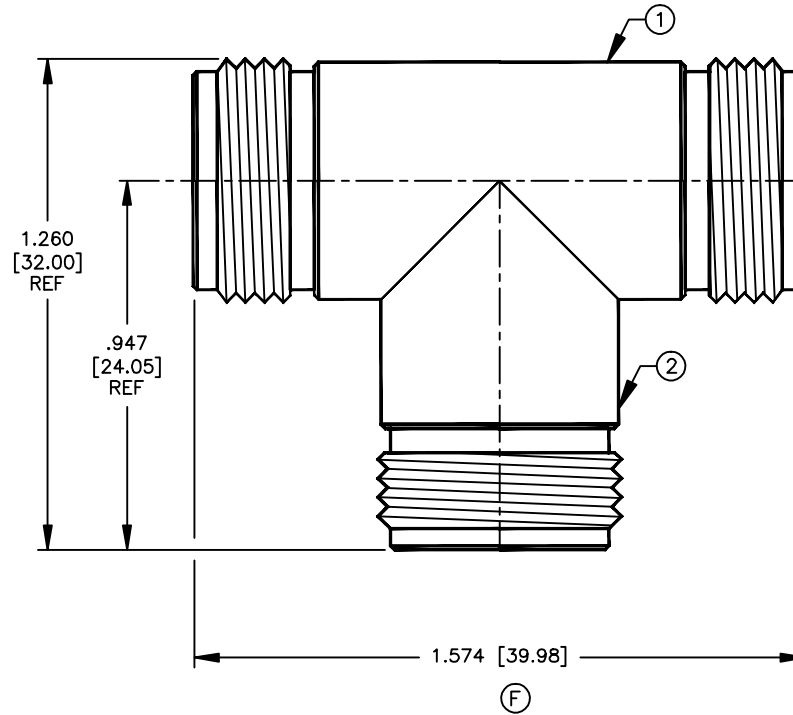
SPECIFICATION CONTROL DRAWING

THIS DRAWING CONTAINS INFORMATION PROPRIETARY TO RF INDUSTRIES, LTD. ANY UNAUTHORIZED USE OF THIS DRAWING IS EXPRESSLY PROHIBITED. ANY VIOLATION IS PUNISHABLE UNDER U.S. COPYRIGHT LAWS.

REV	DESCRIPTION	DWN	DATE	APPROVED
C	SEPARATE BODY VIEW	CZS	12/5/97	R. RICE
D	CHANGE CONTACT OD ITEMS #3 & #4	CZS	2/4/98	R. RICE
E	CHANGE BODY DIMENSIONS	CZS	5/8/98	R. RICE
F	CHG CONTACT OD ITEM #3 & #4 / GHG BODY DIMENSIONS	CZS	5/22/98	R. RICE

ALL DIMENSIONS ARE REFERENCE ONLY

000000



SPECIFICATIONS:

IMPEDANCE: 50 OHMS
 WORKING VOLTAGE: 1000 VRMS @ SEA LEVEL
 FREQUENCY RANGE: 0-11 GHz
 INTERFACE PER MIL-STD-348A, SECTION 304.2

DIMENSIONS ARE IN INCHES AND [MILLIMETERS]

UNLESS OTHERWISE NOTED TOLERANCES ARE:

DECIMALS DIAMETER

RF connectors
 DIVISION OF RF INDUSTRIES, LTD.

7610 MIRAMAR RD
 SAN DIEGO, CA 92126
 (619)549-6340
 (619)549-6345 FAX

RFN-1011-1 / UG-28A/U

N "T" ADAPTER, TRIPLE FEMALE

ITEM	DESCRIPTION	QTY	MATERIAL	FINISH
6	PRESS FIT GND RING	2	BRASS	SILVER
5	DIELECTRIC	3	PTFE	NONE
4	CONTACT	1	BRASS	GOLD
3	CONTACT	1	BRASS	GOLD
2	BODY	1	BRASS	SILVER
1	BODY	1	BRASS	SILVER

DRAWN	C. ZUNIGA	5/22/98
CHECKED		
ORJ DRAWN	P. BREAUX	3/22/93
APPROVALS		DATE

SIZE	CABLE GROUP	DWG NO.	REV
A	N/A	8053	F
SCALE:	2:1	CAD FILE	13ARC B
			SHEET 1 OF 1