

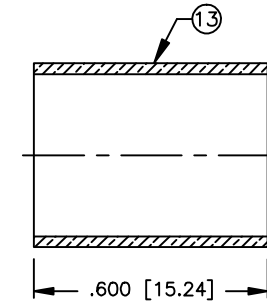
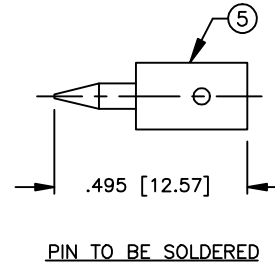
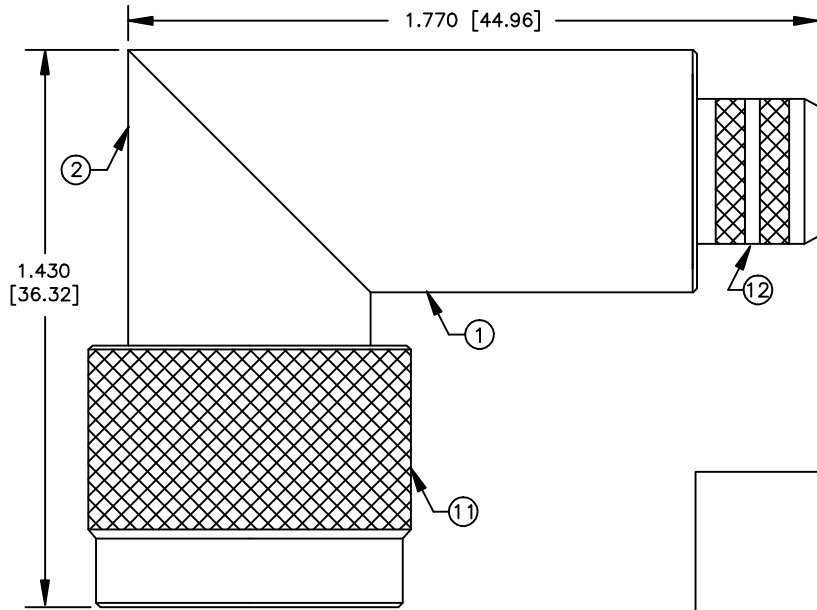
SPECIFICATION CONTROL DRAWING

THIS DRAWING CONTAINS INFORMATION PROPRIETARY TO RF INDUSTRIES, LTD. ANY UNAUTHORIZED USE OF THIS DRAWING IS EXPRESSLY PROHIBITED. ANY VIOLATION IS PUNISHABLE UNDER U.S. COPYRIGHT LAWS.

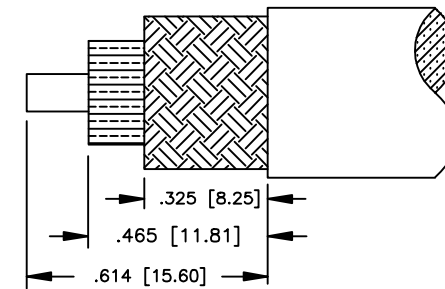
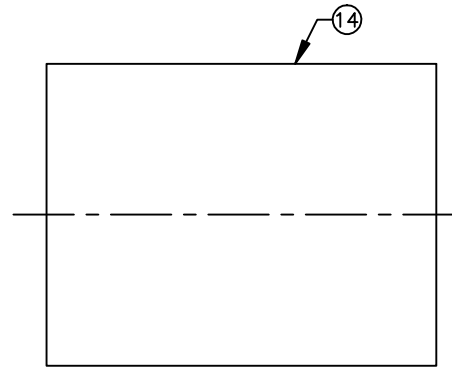
REV	DESCRIPTION	DWN	DATE	APPROVED
A	ENGINEERING RELEASE	KMM	4/25/95	R. RICE
B	CHANGE STRIP INSTRUCTIONS	CZS	10/20/98	R. RICE
C	CHG FER STUD TO KNURL & P/N FROM 8501 / UPDATE SPECS	CZS	12/01/04	JDMc

ALL DIMENSIONS ARE REFERENCE ONLY

000000



IMPEDANCE: 50 Ohms
 FREQUENCY RANGE: 0-11 GHz
 VSWR: 1.5 Max. @ 9 GHz
 INSERTION LOSS: .06 dB Max. X \sqrt{f} GHz
 WORKING VOLTAGE: 1k V rms @ sea level
 TEMPERATURE RANGE: -65°C TO 165°C
 INSULATION RESISTANCE: 5k M Ohms min.
 FOR BELDEN 89913 (PLENUM) CABLE



SUGGESTED STRIPPING INSTRUCTIONS

ITEM	DESCRIPTION	QTY	MATERIAL	FINISH
14	TUBING	1	HEAT SHINK	---
13	FERRULE [FER-205]	1	BRASS	SILVER
12	FERRULE STUD	1	BRASS	SILVER
11	SHELL	1	BRASS	SILVER
10	RETAINING RING	1	BRASS	SILVER
9	GASKET	1	S.I. RUBBER	RED
8	PRESS FIT GND RING	1	BRASS	SILVER
7	INSUALTOR	1	PTFE	NONE
6	INSUALTOR	1	PTFE	NONE
5	PIN	1	BRASS	GOLD
4	CONTACT	1	BRASS	GOLD
3	PIN	1	BRASS	GOLD
2	BODY	1	BRASS	SILVER
1	BODY	1	BRASS	SILVER

DIMENSIONS ARE IN INCHES AND [MILLIMETERS]

UNLESS OTHERWISE NOTED TOLERANCES ARE:

DRAWN C. ZUNIGA	12/01/04
CHECKED	
ORJ DRAWN K. MAXWELL	4/25/95
APPROVALS	DATE

*RF*connectors

DIVISION OF RF INDUSTRIES, LTD.

7610 MIRAMAR RD
SAN DIEGO, CA 92126
(858) 549-6340
(858) 549-6345 FAX

N PLUG, CRIMP

RIGHT ANGLE

SIZE A	CABLE GROUP PL	DWG NO. RFN-1009-PL	REV C
SCALE:		CAD FILE	SHEET 1 OF 1