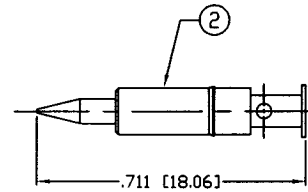
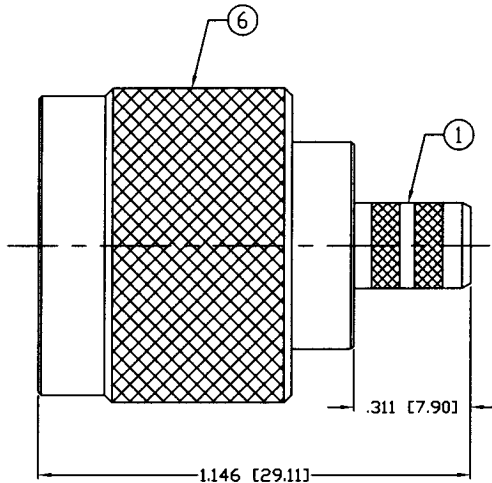


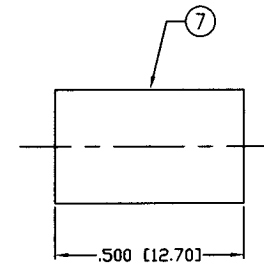
THIS DRAWING CONTAINS INFORMATION PROPRIETARY TO RF INDUSTRIES,  
 ANY UNAUTHORIZED USE OF THIS DRAWING IS EXPRESSLY PROHIBITED  
 WITHOUT WRITTEN PERMISSION FROM RF INDUSTRIES.  
 ANY VIOLATION IS PUNISHABLE UNDER U.S. COPYRIGHT LAWS.

ALL DIMENSIONS ARE REFERENCE ONLY

|          |             |                   |          |          |
|----------|-------------|-------------------|----------|----------|
| PART NO. |             | <b>RFN-1007-X</b> |          |          |
| REV      | DESCRIPTION | DWN               | DATE     | APPROVED |
| -        | ENG RELEASE | JDMc              | 11/19/03 | R. RICE  |
|          |             |                   |          |          |
|          |             |                   |          |          |



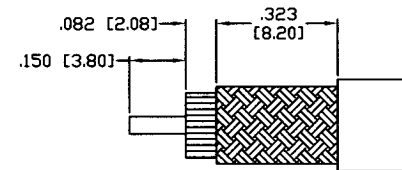
RECOMMENDED  
 CRIMP DIE: .068"



RECOMMENDED  
 CRIMP DIE: .255"

**SPECIFICATIONS:**

IMPEDANCE: 50 Ohms  
 FREQUENCY RANGE: 0-11 GHz  
 VSWR: 1.3 Max.  
 INSERTION LOSS: .06 dB Max. X  $\sqrt{fGHz}$   
 WORKING VOLTAGE: 1k V rms @ sea level  
 TEMPERATURE RANGE: -65°C TO 85°C  
 INSULATION RESISTANCE: 5k M Ohms min.  
 FOR RG-8/X, BELDEN 9258, MAXRAD M8X-100 &  
 MBX-1000, MICRO 8/U, REMEE 1600, SAXTON 8315 &  
 TIMES LMR-240 & LMR-240 ULTRAFLEX CABLE



RECOMMENDED  
 STRIPPING DIMENSIONS

|    |                |     |        |              |           |      |
|----|----------------|-----|--------|--------------|-----------|------|
| 1  | BODY           | 1   | BRASS  | NICKEL, 80μ" | 000486    |      |
| 2  | PIN            | 1   | BRASS  | GOLD, 3μ"    |           |      |
| 3  | DIELECTRIC     | 1   | PTFE   | WHITE        |           |      |
| 4  | RETAINING RING | 1   | BRASS  | NATURAL      |           |      |
| 5  | GASKET         | 1   | RUBBER | RED          |           |      |
| 6  | SHELL          | 1   | BRASS  | NICKEL, 80μ" |           |      |
| 7  | FERRULE        | 1   | BRASS  | NICKEL, 80μ" |           |      |
| 8  | GRUOND RING    | 1   | BRASS  | NICKEL, 80μ" |           |      |
| 9  |                |     |        |              |           |      |
| 10 |                |     |        |              |           |      |
| 11 |                |     |        |              |           |      |
| 12 |                |     |        |              |           |      |
| 13 |                |     |        |              |           |      |
| 14 |                |     |        |              |           |      |
| #  | DESCRIPTION    | QTY | MATRL  | FINISH       | APPROVALS | DATE |

UNLESS OTHERWISE SPECIFIED:  
 1. REMOVE ALL BURRS  
 2. BREAK ALL CORNERS & EDGES .005 R. MAX.  
 3. CHAMFER 1ST & LAST THREADS 45°  
 4. SURFACE ROUGHNESS 63 FINISH MIL-STD-10  
 5. DIAMETERS ON COMMON CENTERS TO BE CONCENTRIC WITHIN .002 T.I.R.  
 6. ALL DIMENSIONS ARE AFTER PLATING.

DIMENSIONS ARE IN INCHES AND [MILLIMETERS]  
 UNLESS OTHERWISE NOTED TOLERANCES ARE:  
 DECIMALS .XXX±.003 [.08]  
 .XX±.005 [.13]  
 DIAMETER .XXX±.001 [.03]  
 .XX±.003 [.08]

**RF connectors**  
 DIVISION OF RF INDUSTRIES, LTD.

7610 MIRAMAR RD  
 SAN DIEGO, CA 92126  
 (858) 549-6340  
 (858) 549-6345 FAX

**N PLUG CRIMP**

|            |             |                  |              |
|------------|-------------|------------------|--------------|
| SIZE       | CABLE GROUP | DWG NO.          | REV          |
| A          | X           | RFN-1007-X       | -            |
| SCALE: NTS |             | CAD FILE OUTLINE | SHEET 1 OF 1 |