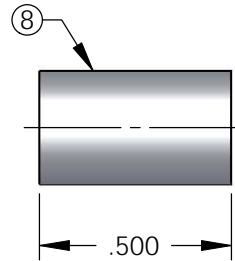
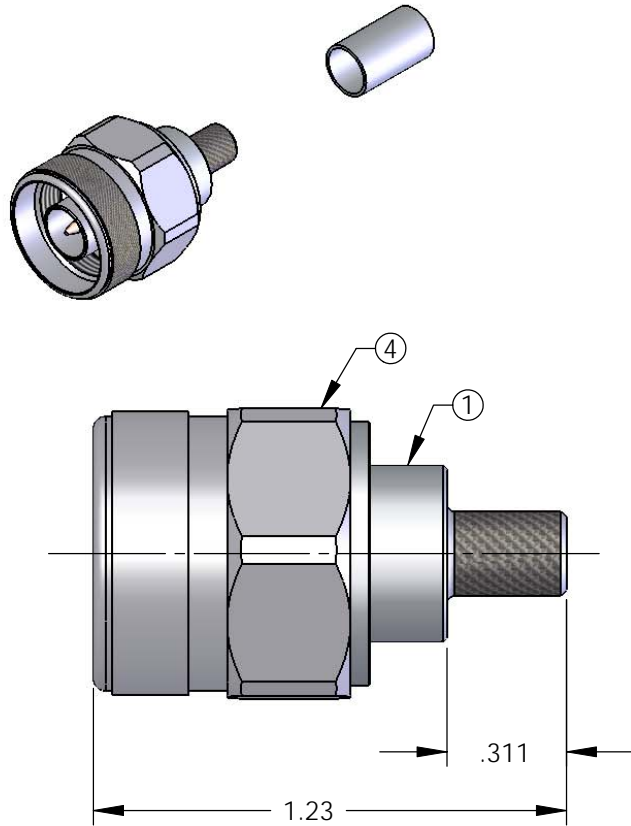
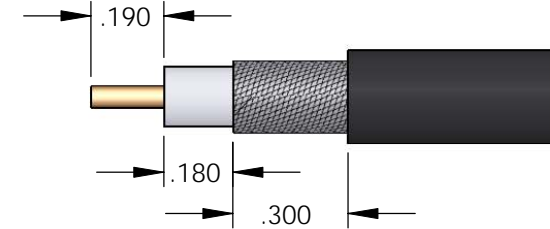


RFN-1006-9X

REV	DESCRIPTION	DATE	APPR
-	ENGINEERING RELEASE	04/20/07	JDM



RECOMMENDED CRIMP DIE: .255"



RECOMMENDED STRIPPING INSTRUCTIONS

SPECIFICATIONS:

IMPEDANCE: 50 Ohms
 FREQUENCY RANGE: 0-11 GHz
 VSWR: 1.3 MAX. @ 9 GHz
 WORKING VOLTAGE: 1K V rms Max. @ Sea Level
 INSULATION RESISTANCE: 5k M Ohms min.
 TEMPERATURE RANGE: -65 °C TO 150C °
 INSERTION LOSS(dB): 0.06 dB MAX. X √f(GHz)
 FOR RG-8/X, BELDEN 9258, MAXRAD M8X-100 & M8X-1000, MICRO 8/U,
 REMEE 1600, SAXTON 8315 & TIMES LMR-240 & LMR-240 ULTRAFLEX
 CABLE

ITEM	PART NUMBER	QTY.	DESCRIPTION	MATERIAL	FINISH
8	066-RG8-000-BN	1	CRIMP RING	BRASS	NICKEL, 100μ
7	028-10M-002-LR	1	GASKET	SILICONE	RED
6	027-10M-001-PX	1	RETAINING RING	PHOS. BRONZE	NONE
5	014-10M-001-BN	1	GROUND RING	BRASS	NICKEL, 100μ
4	012-10M-003-BN	1	SHELL	BRASS	NICKEL, 100μ
3	010-10M-003-TX	1	INSULATOR	PTFE	NONE
2	009-10M-031-PG	1	PIN	PHOS. BRONZE	GOLD, 5μ
1	001-10M-006-BN	1	BODY	BRASS	NICKEL, 100μ

ROHS COMPLIANT	NAME	DATE	RF INDUSTRIES 7610 MIRAMAR RD. SAN DIEGO, CA. 92126 858-549-6340 FAX 858-549-6345	
	DRAWN	C. ZUNIGA		04/20/07
	CHECKED			
UNLESS OTHERWISE SPECIFIED:	ENG APPR.		TITLE:	
DIMENSIONS ARE IN INCHES	PROPRIETARY AND CONFIDENTIAL		N PLUG, CRIMP CAPTIVATED PIN	
ALL DIMENSIOIS ARE FOR REFERENCE ONLY	THE INFORMATION CONTAINED IN THIS DRAWING IS THE SOLE PROPERTY OF RF INDUSTRIES. ANY REPRODUCTION IN PART OR AS A WHOLE WITHOUT THE WRITTEN PERMISSION OF RF INDUSTRIES IS STRICTLY PROHIBITED.		SIZE	
CABLE GROUP			DWG. NO.	REV
X			A	RFN-1006-9X
CODE	000000	SCALE: NTS	NOTES: SOLDERLESS	SHEET 1 OF 1