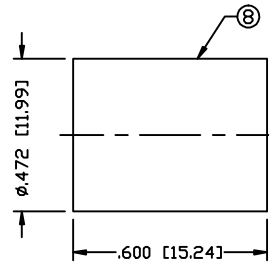
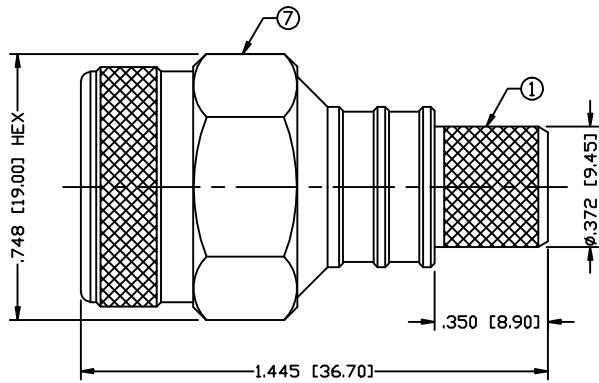


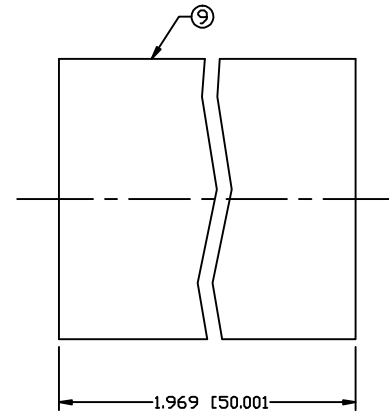
PART NO.

RFN-1006-9I

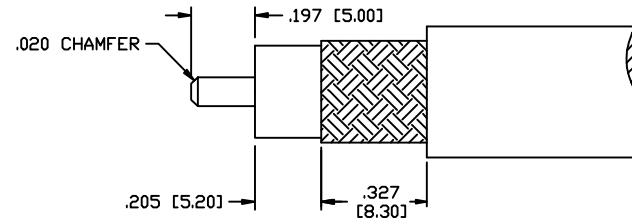
REV	DESCRIPTION	DWN	DATE	APPROVED
-	ENGINEERING RELEASE	JDMc	7/12/06	JDMc
A	MODIFIED DESIGN / CHG PLATING / ADDED TUBING / UPDATED SPECS	CZS	03/03/11	JDMc



RECOMMENDED CRIMP DIE: .429"

**SPECIFICATIONS:**

IMPEDANCE: 50 Ohms
 INTERFACE: Per MIL-STD-348
 FREQUENCY RANGE: 0-11 GHz
 INSERTION LOSS: -0.1 dB Max 0-6 GHz
 WORKING VOLTAGE: 1400 VRMS @ sea level
 TEMPERATURE RANGE: -65°C TO 155°C
 INSULATION RESISTANCE: 5k M Ohms min.
 RF LEAKAGE: -90 dB Min. between 2 and 3 GHz
 RF HIGH POTENTIAL: 1k VRMS @ 5~7.5 MHz
 FOR BELDEN 9913, 89913, LMR-400 CABLE
 (SOLID CENTER CONDUCTORS ONLY)



RECOMMENDED STRIPPING DIMENSIONS

9	TUBING	1	HEAT SHRINK	BLACK
8	FERRULE	1	BRASS	WHITE BRONZE
7	SHELL	1	BRASS	WHITE BRONZE
6	RETAINING RING	1	BRASS	WHITE BRONZE
5	GASKET	1	SI RUBBER	---
4	GROUND RING	1	BRASS	WHITE BRONZE
3	PIN	1	BRASS	GOLD
2	INSULATOR	1	PTFE	---
1	BODY	1	BRASS	WHITE BRONZE
#	DESCRIPTION	QTY	MATERIAL	FINISH

CUSTOMER
OUTLINE DRAWINGALL DIMENSIONS
ARE REFERENCE ONLYUNLESS OTHERWISE SPECIFIED:
DIMENSIONS ARE IN INCHES
AND [MILLIMETERS]DRAWN
C. ZUNIGA 03/03/11
CHECKEDORJ DRAWN
JDMc 7/11/06**RoHS
COMPLIANT**

PROPRIETARY AND CONFIDENTIAL
 THIS DRAWING CONTAINS
 INFORMATION PROPRIETARY TO
 RF INDUSTRIES. ANY
 UNAUTHORIZED USE OF THIS
 DRAWING IS EXPRESSLY
 PROHIBITED WITHOUT WRITTEN
 PERMISSION FROM RF
 INDUSTRIES. ANY VIOLATION IS
 PUNISHABLE UNDER U.S.
 COPYRIGHT LAWS.

RFconnectors

7610 MIRAMAR RD.
 SAN DIEGO, CA 92126
 (858) 549-6340
 (858) 549-6345 FAX

N PLUG, CRIMP
 CAPTIVE PIN, FOR LMR-400

SIZE	CABLE GROUP	DWG NO.	REV
A	I	RFN-1006-9I	A
SCALE: NTS	ENGINEERING ID: 000494	SHEET 1 OF 1	