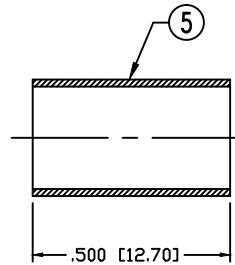
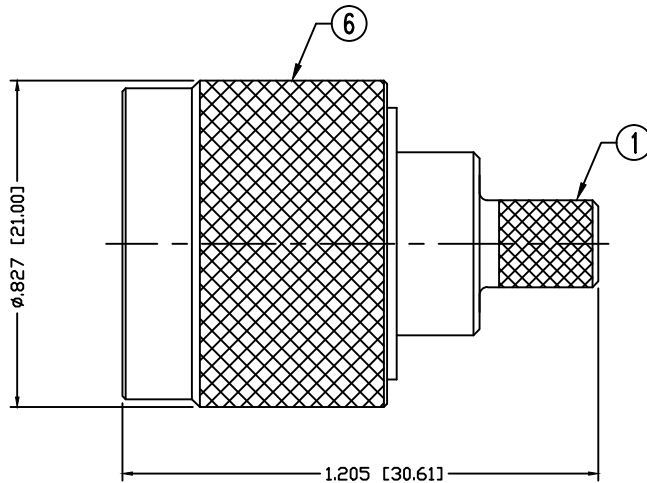


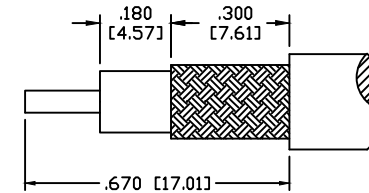
PART NO.

RFN-1006-8X

REV	DESCRIPTION	DWN	DATE	APPROVED
-	ENGINEERING RELEASE	JDMc	7/11/06	JDMc
A	ADDED DIE CALLOUT / UPDATED DWG	CZS	8/13/14	JDMc



RECOMMENDED CRIMP DIE: .255"

RECOMMENDED STRIPPING DIMENSIONS
FOR SOLID CENTER CONDUCTOR CABLES ONLY**SPECIFICATIONS:**

IMPEDANCE: 50 Ohms
 INTERFACE: Per MIL-STD-348
 FREQUENCY RANGE: 0-11 GHz
 INSERTION LOSS: -0.1 dB Max 0-6 GHz
 WORKING VOLTAGE: 850 VRMS @ sea level
 TEMPERATURE RANGE: -65°C TO 155°C
 INSULATION RESISTANCE: 5k M Ohms min.
 RF LEAKAGE: -90 dB Min. between 2 and 3 GHz
 RF HIGH POTENTIAL: 1k VRMS @ 5~7.5 MHz
 FOR LMR-240 CABLE

#	DESCRIPTION	QTY	MATERIAL	FINISH
8	GASKET	1	SILICONE RUBBER	RED
7	GROUND RING	1	BRASS	NICKEL, 100μ"
6	COUPLING NUT	1	BRASS	NICKEL, 100μ"
5	FERRULE	1	BRASS	NICKEL, 100μ"
4	RETAINING RING	1	PHOS. BRONZE	N/A
3	INSULATOR	1	PTFE	N/A
2	PIN	1	PHOS. BRONZE	GOLD, 5μ"
1	BODY	1	BRASS	NICKEL, 100μ"

CUSTOMER
OUTLINE DRAWINGALL DIMENSIONS
ARE REFERENCE ONLYUNLESS OTHERWISE SPECIFIED:
DIMENSIONS ARE IN INCHES
AND [MILLIMETERS]DRAWN
C. ZUNIGA 8/13/14
CHECKEDORJ DRAWN
JDMc 7/11/06**RoHS
COMPLIANT**

PROPRIETARY AND CONFIDENTIAL
 THIS DRAWING CONTAINS
 INFORMATION PROPRIETARY TO
 RF INDUSTRIES. ANY
 UNAUTHORIZED USE OF THIS
 DRAWING IS EXPRESSLY
 PROHIBITED WITHOUT WRITTEN
 PERMISSION FROM RF
 INDUSTRIES. ANY VIOLATION IS
 PUNISHABLE UNDER U.S.
 COPYRIGHT LAWS.

RFconnectors

7610 MIRAMAR RD.
 SAN DIEGO, CA 92126
 (858) 549-6340
 (858) 549-6345 FAX

N PLUG, CRIMP
 CAPTIVE PIN, LMR-240

SIZE	CABLE GROUP	DWG NO.	REV
A	N/A	RFN-1006-8X	A
SCALE:	ENGINEERING ID:	SHEET 1 OF 1	
NTS	000000		