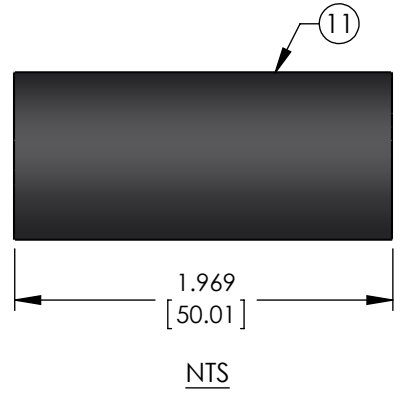
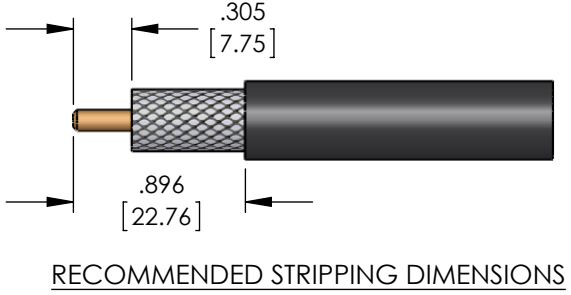
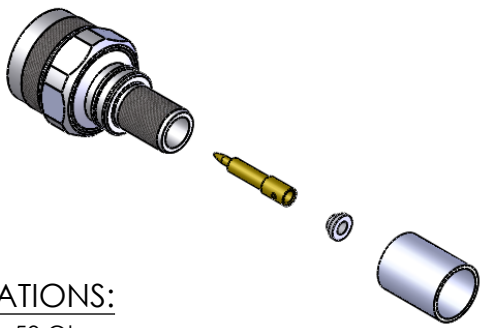
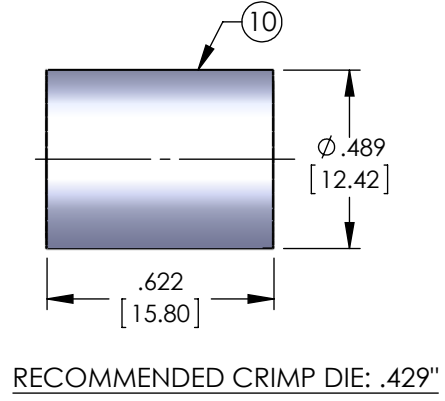
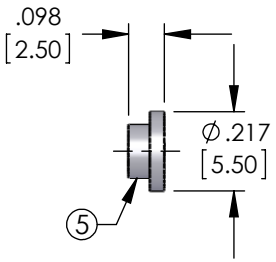
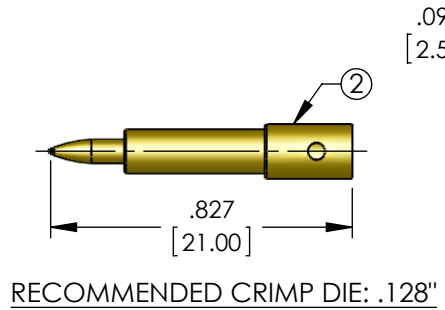
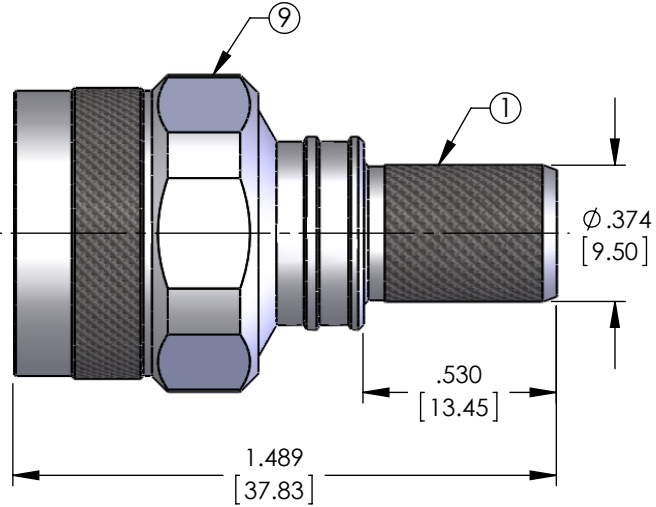


RFN-1006-41

REV	DESCRIPTION	DATE	APPR
-	ENGINEERING RELEASE	4/17/13	JDM
A	UPDATED PERFORMANCE DATA	07/17/13	JDN



SPECIFICATIONS:

IMPEDANCE: 50 Ohms
 FREQUENCY RANGE: 0-11 GHz
 VSWR: <1.10:1 UP TO 3 GHz
 VSWR: <1.15:1 @ 3 GHz THROUGH 8 GHz
 WORKING VOLTAGE: 1K V rms Max. @ Sea Level
 INSULATION RESISTANCE: 5k M Ohms min.
 TEMPERATURE RANGE: -65°C TO 165°C
 INSERTION LOSS(dB): 0.06 dB MAX. x f(GHz)
 FOR BELDEN 8214, 9913, 9913F, 9914, LMR-400

ROHS COMPLIANT	NAME	DATE
	DRAWN C. ZUNIGA	07/17/13
	CHECKED	
	ENG APPR.	
UNLESS OTHERWISE SPECIFIED:	PROPRIETARY AND CONFIDENTIAL THE INFORMATION CONTAINED IN THIS DRAWING IS THE SOLE PROPERTY OF RF INDUSTRIES. ANY REPRODUCTION IN PART OR AS A WHOLE WITHOUT THE WRITTEN PERMISSION OF RF INDUSTRIES IS STRICTLY PROHIBITED.	
DIMENSIONS ARE IN INCHES		
ALL DIMENSIOS ARE FOR REFERENCE ONLY		
CABLE GROUP	I	
CODE	01560	

RF INDUSTRIES		
7610 MIRAMAR RD. SAN DIEGO, CA. 92126		
858-549-6340 FAX 858-549-6345		
TITLE: N PLUG CRIMP		
SIZE A	DWG. NO. RFN-1006-41	REV A
SCALE: NTS	NOTES:	SHEET 1 OF 1

NO	DESCRIPTION	QTY	MATERIAL	FINISH
11	TUBING	1	POLYOLEFIN	BLACK
10	FERRULE	1	BRASS	WHITE BRONZE
9	SHELL	1	BRASS	WHITE BRONZE
8	GASKET	1	SI RUBBER	ORANGE
7	RETAINING RING	1	BRASS	WHITE BRONZE
6	GROUNDING RING	1	BRASS	WHITE BRONZE
5	INSULATOR	1	PTFE	NONE
4	INSULATOR	1	PTFE	NONE
3	INSULATOR	1	PTFE	NONE
2	PIN	1	BRASS	GOLD
1	BODY	1	BRASS	WHITE BRONZE