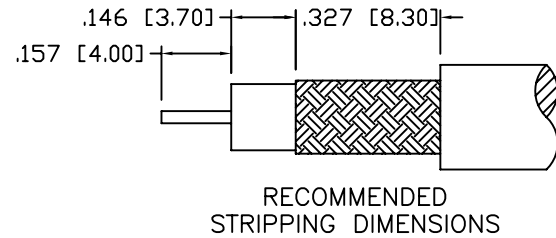
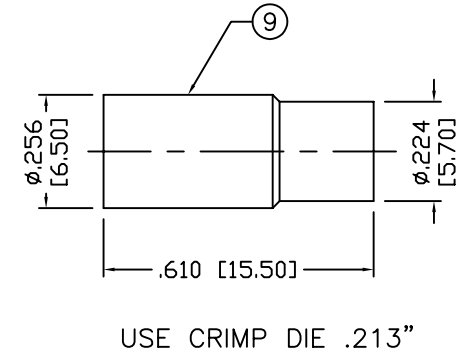
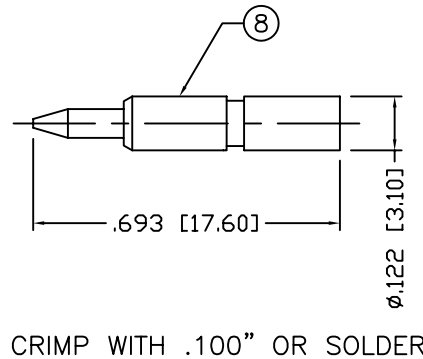
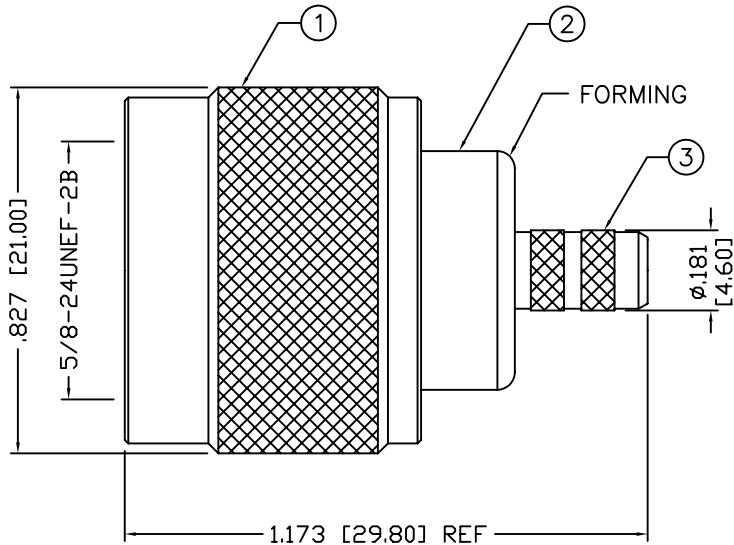


THIS DRAWING CONTAINS INFORMATION PROPRIETARY TO RF INDUSTRIES.  
 ANY UNAUTHORIZED USE OF THIS DRAWING IS EXPRESSLY PROHIBITED  
 WITHOUT WRITTEN PERMISSION FROM RF INDUSTRIES.  
 ANY VIOLATION IS PUNISHABLE UNDER U.S. COPYRIGHT LAWS.

PART NO.		<b>RFN-1005-7</b>		
REV	DESCRIPTION	DWN	DATE	APPROVED
-	ENGINEERING RELEASE	CZS	8/24/00	JDMc
A	ADDED CRIMP DIES SIZES AND SILVER PLATE SPEC	JDM	1/10/08	JDMc



**SPECIFICATIONS:**

IMPEDANCE: 50 Ohms  
 WORKING VOLTAGE: 1000 VRMS @ SEA LEVEL  
 FREQUENCY RANGE: 0-11 GHz  
 INSERTION LOSS: ≤ -2dB @ 10 GHz  
 VSWR MAX: 1.3:1 @ 9 GHz  
 FOR MOTOROLA WHITE TEFLON, BELDEN 82907, 88240 &  
 89907, RG-122/U & TIMES MSI-15 CABLE

ALL DIMENSIONS ARE REFERENCE ONLY

1 SHELL	1 BRASS	SILVER, 100 MICRO	008974	DRAWN JDM 1/10/08  CHECKED  ORJ DRAWN C. ZUNIGA 8/13/99	
2 BODY	1 BRASS	SILVER, 100 MICRO			
3 FERRULE STUD	1 BRASS	SILVER, 100 MICRO			
4 INSULATOR	1 PTFE	NONE			
5 GROUND RING	1 BRASS	SILVER, 100 MICRO			
6 GASKET	1 SILICONE	RED			
7 RETAINING RING	1 ST. STEEL	NONE			
8 PIN	1 BRASS	GOLD, 3 MICRO			
9 FERRULE	1 STEEL	SILVER, 100 MICRO			
# DESCRIPTION	QTY	MATRL	FINISH	APPROVALS	DATE

UNLESS OTHERWISE SPECIFIED:  
 1. REMOVE ALL BURRS  
 2. BREAK ALL CORNERS & EDGES .005 R. MAX.  
 3. CHAMFER 1ST & LAST THREADS 45°  
 4. SURFACE ROUGHNESS 63 FINISH MIL-STD-10  
 5. DIAMETERS ON COMMON CENTERS TO BE CONCENTRIC WITHIN .002 T.I.R.  
 6. ALL DIMENSIONS ARE AFTER PLATING.

DIMENSIONS ARE IN INCHES AND [MILLIMETERS]  
 UNLESS OTHERWISE NOTED TOLERANCES ARE:  
 DECIMALS      DIAMETER  
 .XXX±.003 [.08]      .XXX±.001 [.03]  
 .XX±.005 [.13]      .XX±.003 [.08]

**RF connectors**  
 DIVISION OF RF INDUSTRIES, LTD.  
 7610 MIRAMAR RD  
 SAN DIEGO, CA 92126  
 (858) 549-6340  
 (858) 549-6345 FAX

**N PLUG**  
 CRIMP

SIZE A	CABLE GROUP M	DWG NO. RFN-1005-7	REV A
SCALE: NTS		CAD FILE OUTLINE	SHEET 1 OF 1