

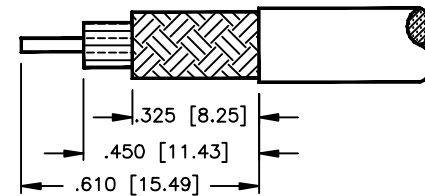
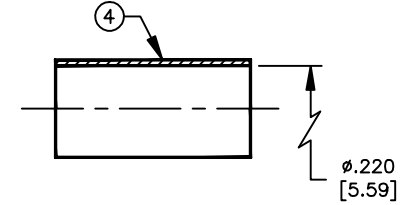
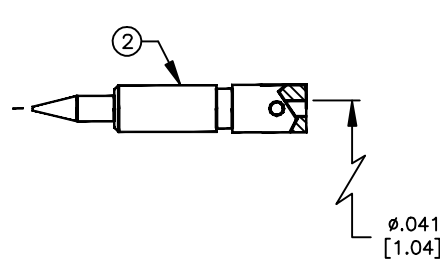
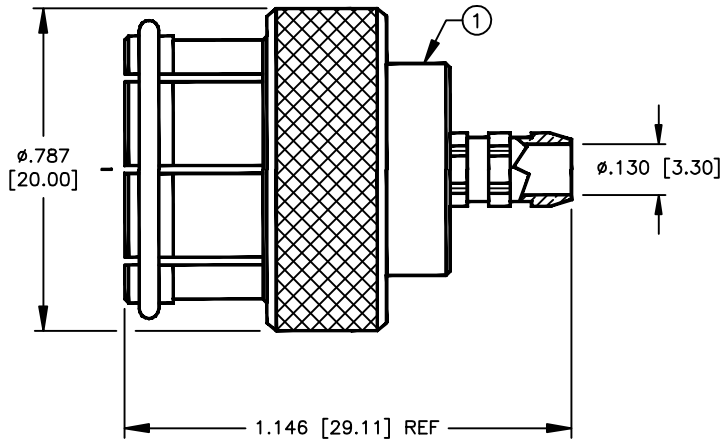
SPECIFICATION CONTROL DRAWING

THIS DRAWING CONTAINS INFORMATION PROPRIETARY TO RF INDUSTRIES, LTD. ANY UNAUTHORIZED USE OF THIS DRAWING IS EXPRESSLY PROHIBITED. ANY VIOLATION IS PUNISHABLE UNDER U.S. COPYRIGHT LAWS.

REV	DESCRIPTION	DWN	DATE	APPROVED
A	ENGINEERING RELEASE	CZS	2/23/00	J. D. McR.

ALL DIMENSIONS ARE REFERENCE ONLY

008974



SPECIFICATIONS:

IMPEDANCE: 50 OHMS
 WORKING VOLTAGE: 1000 VRMS @ SEA LEVEL
 FREQUENCY RANGE: 0-11 GHz
 INSERTION LOSS: < -0.5 dB
 VSWR MAX: 1.5:1
 FOR RG-58, 58A, 58C, 141, 141A, BELDEN 8240,
 8259, 8262, 9201, 9203, 9310, 9311 & COMM/SCOPE 0268
 INTERFACE PER MIL-STD-348A, SECTION 304.1

SUGGESTED STRIPPING INSTRUCTIONS

SUGGESTED CRIMP DIES: .100 & .213

DIMENSIONS ARE IN INCHES AND [MILLIMETERS]

UNLESS OTHERWISE NOTED TOLERANCES ARE:

DECIMALS DIAMETER

RF connectors
 DIVISION OF RF INDUSTRIES, LTD.

7610 MIRAMAR RD
 SAN DIEGO, CA 92126
 (858) 549-6340
 (858) 549-6345 FAX

RFN-1005-5

N MALE CRIMP, QUICK DISCONNECT

ITEM	DESCRIPTION	QTY	MATERIAL	FINISH
6	RING	1	SWP	SILVER
5	PRESS-FIT GROUND RING	1	BRASS	SILVER
4	FERRULE	1	BRASS	SILVER
3	DIELECTRIC	1	PTFE	NONE
2	PIN	1	BRASS	GOLD
1	BODY	1	BRASS	SILVER

DRAWN	C. ZUNIGA	2/23/00
CHECKED		
ORJ DRAWN	C. ZUNIGA	2/23/00
APPROVALS		
DATE		

SIZE	CABLE GROUP	DWG NO.	REV
A	C	9266	A
SCALE:	2:1	CAD FILE	13ARC B
SHEET			1 OF 1