

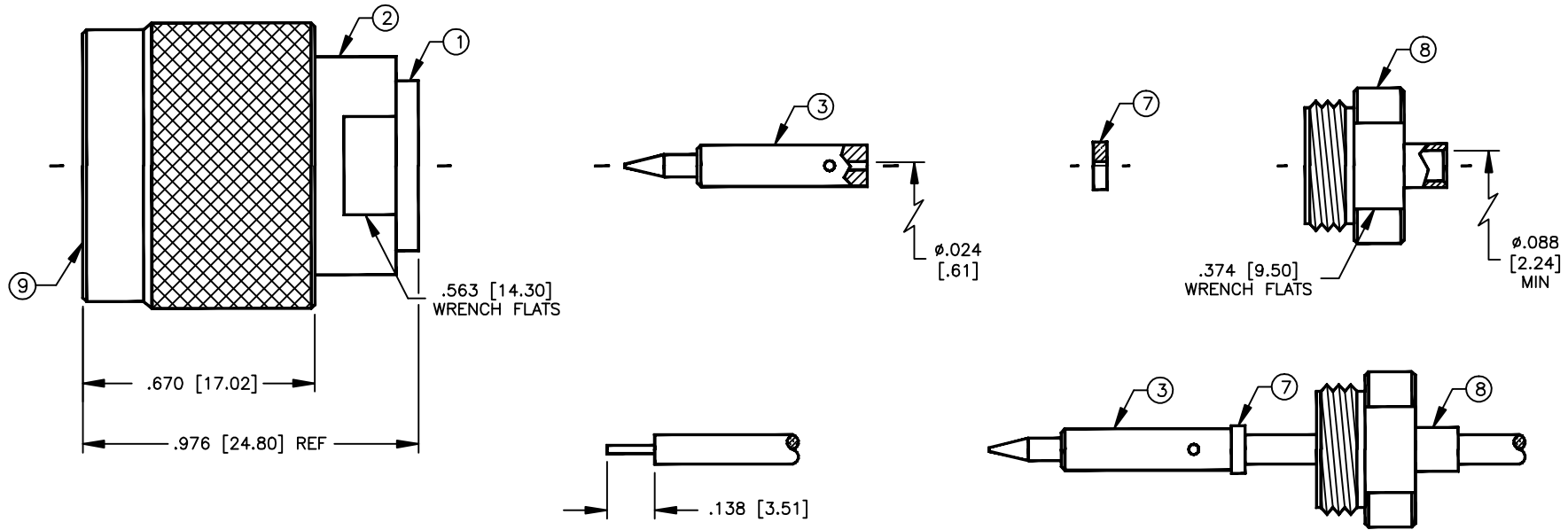
SPECIFICATION CONTROL DRAWING

THIS DRAWING CONTAINS INFORMATION PROPRIETARY TO RF INDUSTRIES, LTD. ANY UNAUTHORIZED USE OF THIS DRAWING IS EXPRESSLY PROHIBITED. ANY VIOLATION IS PUNISHABLE UNDER U.S. COPYRIGHT LAWS.

| REV | DESCRIPTION | DWN | DATE | APPROVED |
|-----|---------------------|-----|---------|----------|
| A | ENGINEERING RELEASE | CZS | 7/20/99 | R. RICE |
| | | | | |
| | | | | |

ALL DIMENSIONS ARE REFERENCE ONLY

008974



SUGGESTED STRIPPING INSTRUCTIONS

- 1.- SLIDE BACK NUT [#8] OVER CABLE & PLACE DIELECTRIC [#7] OVER CABLE CENTER CONDUCTOR BEFORE SOLDERING PIN
- 2.- SCREW BACK NUT INTO BODY
- 3.- SOLDER CABLE TO BACK NUT

SPECIFICATIONS:

IMPEDANCE: 50 OHMS
 WORKING VOLTAGE: 1000 VRMS @ SEA LEVEL
 FREQUENCY RANGE: 0-11 GHz
 FOR .085 SEMI RIGID, RG-405/U & BELDEN 1671A CABLE
 INTERFACE PER MIL-STD-348A, SECTION 304.1

DIMENSIONS ARE IN INCHES AND [MILLIMETERS]

UNLESS OTHERWISE NOTED TOLERANCES ARE:
 DECIMALS DIAMETER

DRAWN C. ZUNIGA 7/20/99

CHECKED

ORJ DRAWN C. ZUNIGA 7/20/99

APPROVALS DATE

RFconnectors
 DIVISION OF RF INDUSTRIES, LTD.

7610 MIRAMAR RD
 SAN DIEGO, CA 92126
 (858) 549-6340
 (858) 549-6345 FAX

RFN-1005-1SR1

N MALE DIRECT SOLDER

| | | | |
|------------|--------------------|------------------|--------------|
| SIZE A | CABLE GROUP SR1 | DWG NO. 9208 | REV A |
| SCALE: 2:1 | | CAD FILE 13ARC B | SHEET 1 OF 1 |

| ITEM | DESCRIPTION | QTY | MATERIAL | FINISH |
|------|----------------|-----|-------------|--------|
| 9 | SHELL | 1 | BRASS | NICKEL |
| 8 | BACK NUT | 1 | BRASS | GOLD |
| 7 | DIELECTRIC | 1 | PTFE | NONE |
| 6 | RETAINING RING | 1 | BRASS | NONE |
| 5 | GASKET | 1 | S.I. RUBBER | RED |
| 4 | DIELECTRIC | 1 | PTFE | NONE |
| 3 | PIN | 1 | BRASS | GOLD |
| 2 | BODY | 1 | BRASS | NICKEL |
| 1 | BODY | 1 | BRASS | NICKEL |