

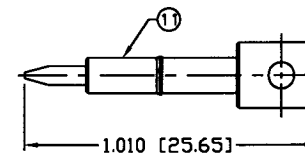
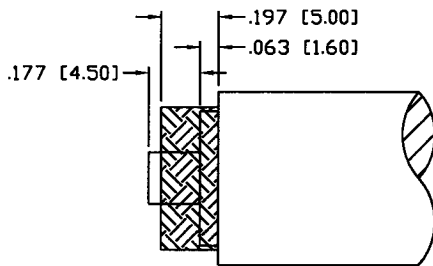
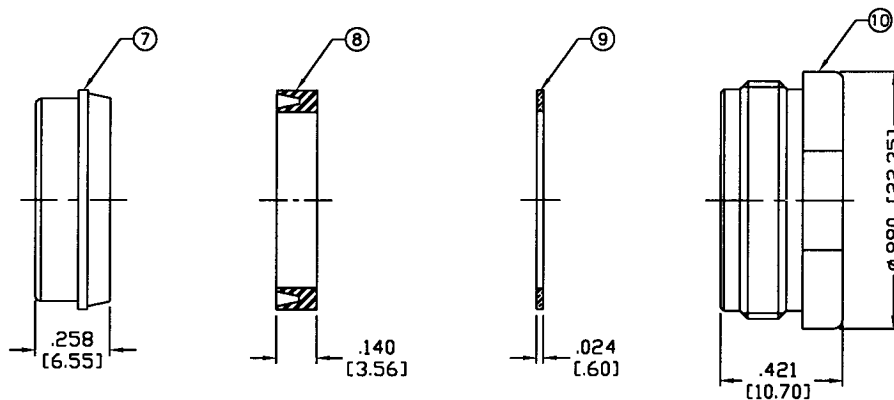
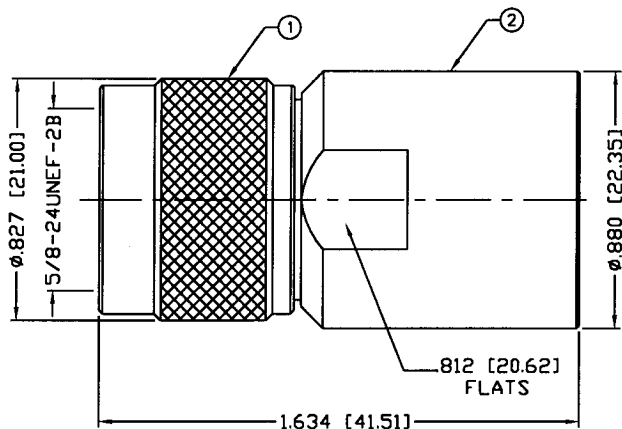
THIS DRAWING CONTAINS INFORMATION PROPRIETARY TO RF INDUSTRIES.
 ANY UNAUTHORIZED USE OF THIS DRAWING IS EXPRESSLY PROHIBITED
 WITHOUT WRITTEN PERMISSION FROM RF INDUSTRIES.
 ANY VIOLATION IS PUNISHABLE UNDER U.S. COPYRIGHT LAWS.

ALL DIMENSIONS ARE REFERENCE ONLY

PART NO.

RFN-1002-2L2

REV	DESCRIPTION	DWN	DATE	APPROVED
A	ENGINEERING RELEASE	CZS	12/15/97	R. RICE
B	REMOVE P/N FROM CONN. / UPDATE SPECS & DWG FORMAT	CZS	03/03/03	JDMc



SPECIFICATIONS:

IMPEDANCE: 50 Ohms
 FREQUENCY RANGE: 0-11 GHz
 WORKING VOLTAGE: 1K V rms Max. @ Sea Level
 VSWR MAX: 1.3
 INSERTION LOSS(dB): $0.06 \times \sqrt{f(\text{GHz})}$
 CONTACT RESISTANCE: $\leq 6 \text{ m Ohm}$
 INSULATION RESISTANCE: 5k M Ohms min.
 TEMPERATURE RANGE: -65°C TO 85°C
 FOR TIMES LMR-600, LMR-600 ULTRAFLEX & T-COM-600

RECOMMENDED STRIPPING DIMENSIONS

RECOMMENDED SOLDER

1 SHELL	1 BRASS	SILVER, 80μ"	008974
2 BODY	1 BRASS	SILVER, 80μ"	
3 GROUND RING	1 BRASS	SILVER, 80μ"	
4 GASKET	1 SILICONE	---	
5 RETAINING RING	1 SST	SILVER, 80μ"	
6 INSULATOR	1 PTFE	---	
7 CLAMP	1 BRASS	SILVER, 80μ"	
8 GASKET	1 SILICONE	---	
9 WASHER	1 BRASS	SILVER, 80μ"	
10 BACK NUT	1 BRASS	SILVER, 80μ"	
11 PIN	1 BRASS	GOLD, 3μ"	
12			
13			
14			

DRAWN	C. ZUNIGA	03/03/03
CHECKED	<i>JDM</i>	3/3/03
ORJ DRAWN	C. ZUNIGA	12/15/97

UNLESS OTHERWISE SPECIFIED:
 1. REMOVE ALL BURRS
 2. BREAK ALL CORNERS & EDGES .005 R. MAX.
 3. CHAMFER 1ST & LAST THREADS 45°
 4. SURFACE ROUGHNESS 63 FINISH MIL-STD-10
 5. DIAMETERS ON COMMON CENTERS TO BE CONCENTRIC WITHIN .002 T.I.R.
 6. ALL DIMENSIONS ARE AFTER PLATING.

DIMENSIONS ARE IN INCHES AND [MILLIMETERS]
 UNLESS OTHERWISE NOTED TOLERANCES ARE:
 DECIMALS DIAMETER
 .xxx±.003 [.08] .xxx±.001 [.03]
 .xx±.005 [.13] .xx±.003 [.08]

RF connectors
 DIVISION OF RF INDUSTRIES, LTD.

7610 MIRAMAR RD
 SAN DIEGO, CA 92126
 (858) 549-6340
 (858) 549-6345 FAX

N PLUG, CLAMP

SIZE	CABLE GROUP	DWG NO.	REV
A	L2	RFN-1002-2L2	B
SCALE: NTS		CAD FILE OUTLINE	SHEET 1 OF 1