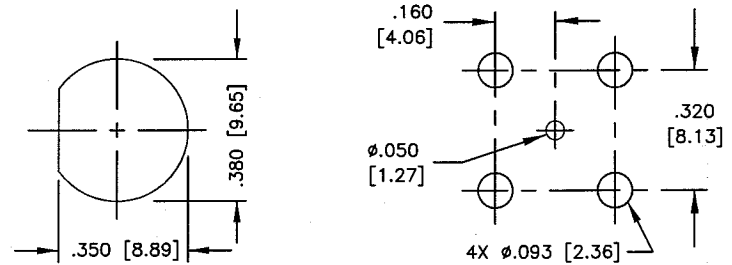
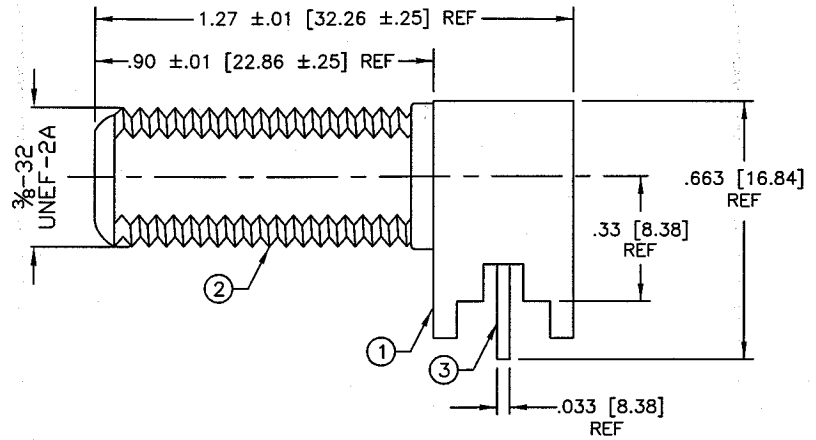
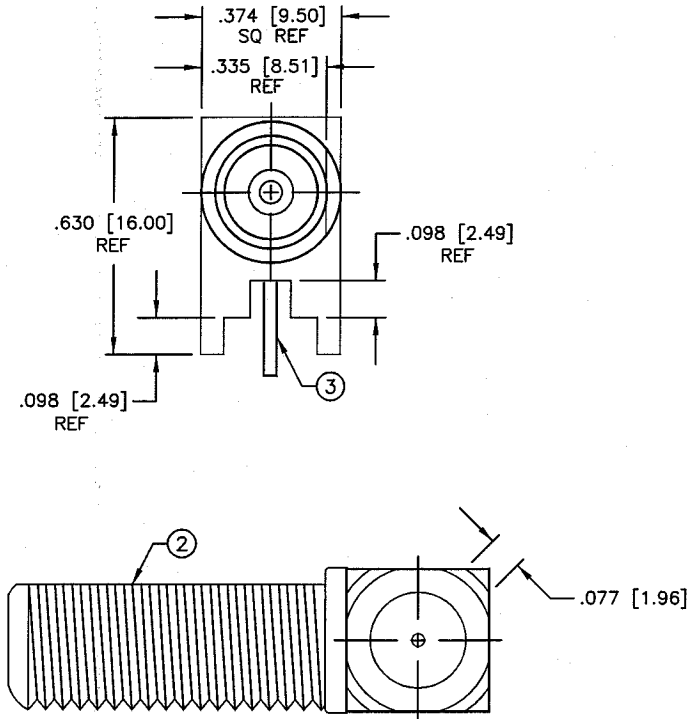


THIS DRAWING CONTAINS INFORMATION PROPRIETARY TO RF INDUSTRIES.
 ANY UNAUTHORIZED USE OF THIS DRAWING IS EXPRESSLY PROHIBITED
 WITHOUT WRITTEN PERMISSION FROM RF INDUSTRIES.
 ANY VIOLATION IS PUNISHABLE UNDER U.S. COPYRIGHT LAWS.

ALL DIMENSIONS ARE REFERENCE ONLY

PART NO.		RFF-1442-03		
REV	DESCRIPTION	DWN	DATE	APPROVED
-	WAS RFF-1442 (W/DELTRIN INSULATOR)	JDM	7/5/01	JDMc



SPECIFICATIONS:

IMPEDANCE: 75 Ohms

SUGGESTED MOUNTING CONFIGURATION

1	BASE	1	BRASS	NICKEL	000494
2	BODY	1	BRASS	NICKEL	
3	CONTACT	1	PHOS. BRONZE	TIN	
4	DIELECTRIC	1	POLYPROPYLENE	----	
5	DIELECTRIC	1	POLYPROPYLENE	----	
6	DIELECTRIC	1	POLYPROPYLENE	----	
7	CENTER PIN	1	BRASS	TIN	
8					
9					
10					
11					
12					
13					
14					

UNLESS OTHERWISE SPECIFIED:
 1. REMOVE ALL BURRS
 2. BREAK ALL CORNERS & EDGES .005 R. MAX.
 3. CHAMFER 1ST & LAST THREADS 45°
 4. SURFACE ROUGHNESS 63 FINISH MIL-STD-10
 5. DIAMETERS ON COMMON CENTERS TO BE CONCENTRIC WITHIN .002 T.I.R.
 6. ALL DIMENSIONS ARE AFTER PLATING.

DIMENSIONS ARE IN INCHES AND [MILLIMETERS]
 UNLESS OTHERWISE NOTED TOLERANCES ARE:
 DECIMALS DIAMETER
 .XXX±.003 [.08] .XXX±.001 [.03]
 .XX±.005 [.13] .XX±.003 [.08]

RF connectors
 DIVISION OF RF INDUSTRIES, LTD.

7610 MIRAMAR RD
 SAN DIEGO, CA 92126
 (858) 549-6340
 (858) 549-6345 FAX

F FEMALE RIGHT ANGLE
 PCB MOUNT

SIZE	CABLE GROUP	DWG NO.	REV
A	N/A	RFF-1442-03	-
SCALE: NTS		CAD FILE OUTLINE	SHEET 1 OF 1

DRAWN
C. ZUNIGA
CHECKED
R. J.
ORJ DRAWN
R. J.

12/11/00
12-11-00
2/8/91