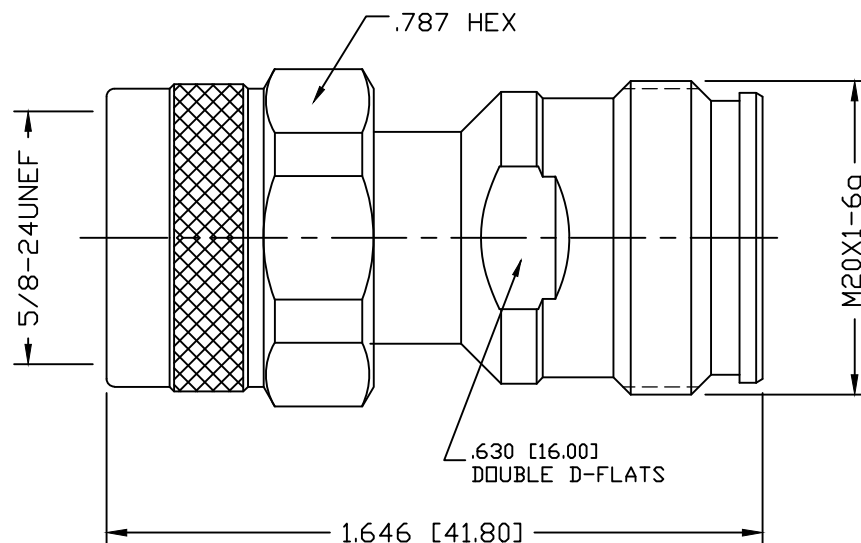


PART NO.

RFD-43F-NM

REV	DESCRIPTION	DWN	DATE	APPROVED
-	ENGINEERING RELEASE	CZS	05/04/16	JDMc

SPECIFICATIONS:

INTERFACE: IEC61169-54

IMPEDANCE: 50 Ohms

FREQUENCY RANGE: DC-6 GHz

VSWR MAX: $\leq 1.15:1$ @ 3 GHz3rd ORDER IM: ≤ -160 dBc @ 1900 MHz

DIELECTRIC WITHSTANDING VOLTAGE: 2000V/AC

INSULATION RESISTANCE: 1000M Ω

OPERATING TEMPERATURE: -40° to +155°

7	GROUND RING	1	Be.Cu.	WHITE BRONZE
6	GASKET	1	RUBBER	----
5	SHELL	1	BRASS	WHITE BRONZE
4	RETAINING RING	1	Be.Cu.	WHITE BRONZE
3	CONTACT	1	PHOS. BRONZE	SILVER
2	INSULATOR	1	PTFE	----
1	BODY	1	BRASS	WHITE BRONZE
#	DESCRIPTION	QTY	MATERIAL	FINISH

CUSTOMER
OUTLINE DRAWINGALL DIMENSIONS
ARE REFERENCE ONLYUNLESS OTHERWISE SPECIFIED:
DIMENSIONS ARE IN INCHES
AND [MILLIMETERS]DRAWN
C. ZUNIGA 05/04/16

CHECKED

ORJ DRAWN
C. ZUNIGA 05/04/16**RoHS
COMPLIANT**

PROPRIETARY AND CONFIDENTIAL
THIS DRAWING CONTAINS
INFORMATION PROPRIETARY TO
RF INDUSTRIES. ANY
UNAUTHORIZED USE OF THIS
DRAWING IS EXPRESSLY
PROHIBITED WITHOUT WRITTEN
PERMISSION FROM RF
INDUSTRIES. ANY VIOLATION IS
PUNISHABLE UNDER U.S.
COPYRIGHT LAWS.

RFconnectors7610 MIRAMAR RD.
SAN DIEGO, CA 92126
(858) 549-6340
DIVISION OF RF INDUSTRIES, LTD. (858) 549-6345 FAX**4.3/10 FEMALE TO N MALE
ADAPTER**

SIZE	CABLE GROUP	DWG NO.	REV
A	N/A	RFD-43F-NM	—
SCALE:	ENGINEERING ID:	SHEET 1 OF 1	
NTS	000000		