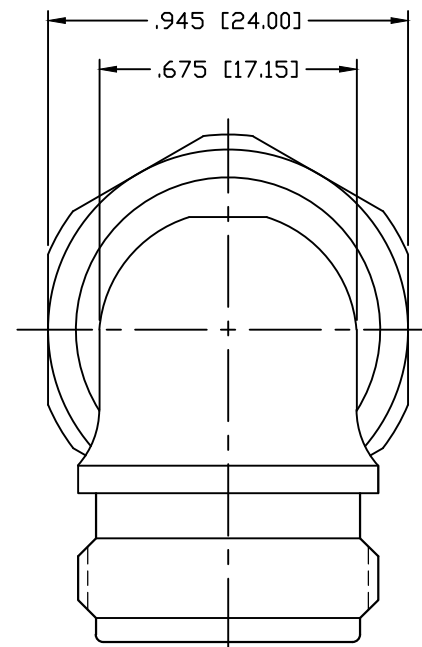
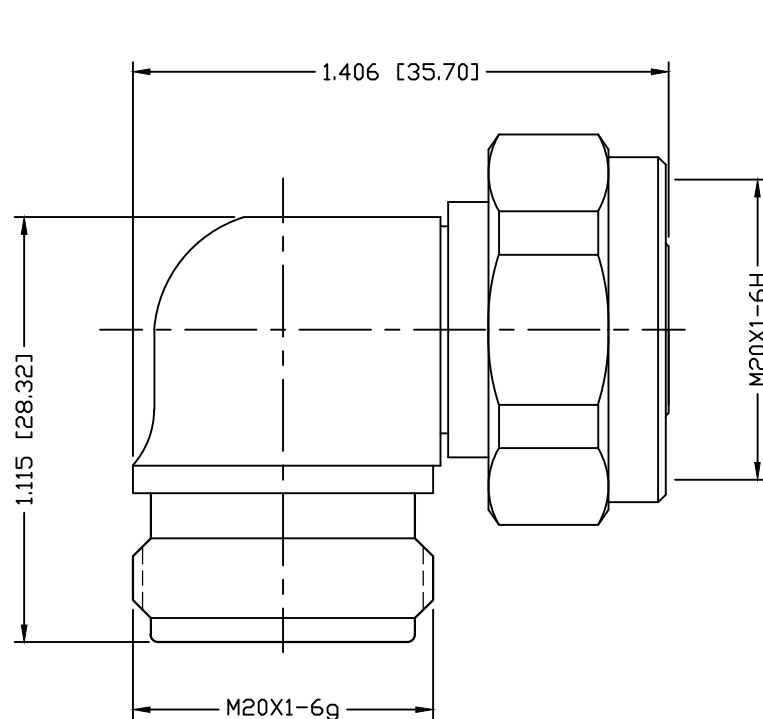


PART NO.

RFD-4195-1952

REV	DESCRIPTION	DWN	DATE	APPROVED
-	ENGINEERING RELEASE	CZS	06/20/14	JDMc

**SPECIFICATIONS:**

IMPEDANCE: 50 Ohms

FREQUENCY RANGE: 0-3 GHz

INTERMODULATION (IM3) 2X20W: typ. -160dBc

INSERTION LOSS: 0.08 dB MAX. @ 3.0 GHz

INSULATION RESISTANCE: 5K MOhms

WORKING VOLTAGE: 1700 vrms @ sea level

MATING CYCLES: 500

TEMPERATURE RANGE: -55°C TO 155°C

9	SHELL	1	BRASS	WHITE BRONZE
8	O-RING	1	RUBBER	----
7	PIN	1	BRASS	SILVER
6	CONTACT SHAFT	1	BRASS	SILVER
5	RETAINING RING	1	Be.Cu.	WHITE BRONZE
4	GROUND RING	1	BRASS	WHITE BRONZE
3	CONTACT	1	PHOS. BRONZE	SILVER
2	INSULATOR	2	PTFE	----
1	BODY	1	BRASS	WHITE BRONZE

#	DESCRIPTION	QTY	MATERIAL	FINISH
---	-------------	-----	----------	--------

CUSTOMER
OUTLINE DRAWINGALL DIMENSIONS
ARE REFERENCE ONLYUNLESS OTHERWISE SPECIFIED:
DIMENSIONS ARE IN INCHES
AND [MILLIMETERS]DRAWN
C. ZUNIGA 06/20/14
CHECKEDORJ DRAWN
C. ZUNIGA 06/20/14**RoHS
COMPLIANT**PROPRIETARY AND CONFIDENTIAL
THIS DRAWING CONTAINS
INFORMATION PROPRIETARY TO
RF INDUSTRIES, ANY
UNAUTHORIZED USE OF THIS
DRAWING IS EXPRESSLY
PROHIBITED WITHOUT WRITTEN
PERMISSION FROM RF
INDUSTRIES. ANY VIOLATION IS
PUNISHABLE UNDER U.S.
COPYRIGHT LAWS.**RFconnectors**
DIVISION OF RF INDUSTRIES, LTD.7610 MIRAMAR RD.
SAN DIEGO, CA 92126
(858) 549-6340
(858) 549-6345 FAX**4.1/9.5 PLUG TO JACK**
RIGHT ANGLE

SIZE	CABLE GROUP	DWG NO.	REV
A	N/A	RFD-4195-1952	—
SCALE:	ENGINEERING ID:	SHEET 1 OF 1	
NTS	000000		