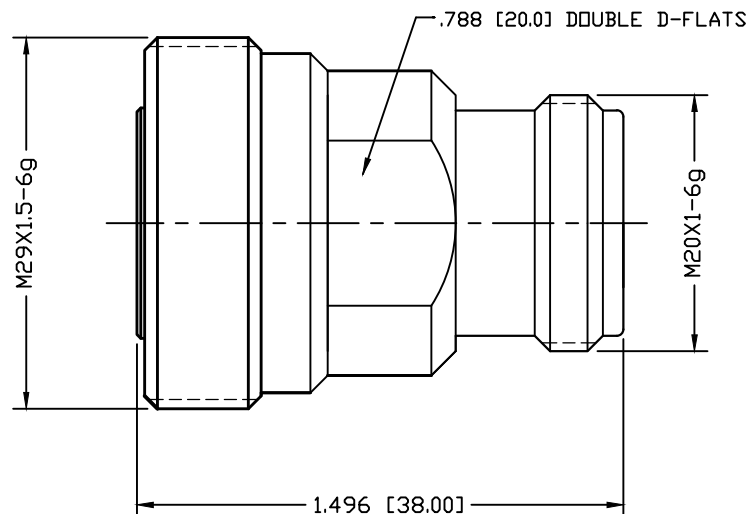


PART NO.

RFD-1683-4

REV	DESCRIPTION	DWN	DATE	APPROVED
A	UPDATED SPECS	CZS	03/26/14	JDMc

SPECIFICATIONS:

IMPEDANCE: 50 Ohms

FREQUENCY RANGE: 0-7.5 GHz

MAX. PIM: -160dBc MAX. (1900 MHz)

VSWR: 0 TO 2.5 GHz <1.07:1

VSWR: 2.5 TO 7.5 GHz <1.15:1

INSERTION LOSS: 0.05 dB MAX. @ 3.0 GHz

INSULATION RESISTANCE: 5K MOhms

WORKING VOLTAGE: 1200 vrms MAX.

MATING CYCLES: 500

TEMPERATURE RANGE: -55°C TO 85°C

CUSTOMER
OUTLINE DRAWINGALL DIMENSIONS
ARE REFERENCE ONLYUNLESS OTHERWISE SPECIFIED:
DIMENSIONS ARE IN INCHES
AND [MILLIMETERS]DRAWN
C. ZUNIGA 03/26/14

CHECKED

ORJ DRAWN
C. ZUNIGA 03/14/14**RoHS
COMPLIANT**

PROPRIETARY AND CONFIDENTIAL

THIS DRAWING CONTAINS
INFORMATION PROPRIETARY TO
RF INDUSTRIES. ANY
UNAUTHORIZED USE OF THIS
DRAWING IS EXPRESSLY
PROHIBITED WITHOUT WRITTEN
PERMISSION FROM RF
INDUSTRIES. ANY VIOLATION IS
PUNISHABLE UNDER U.S.
COPYRIGHT LAWS.

RFconnectors7610 MIRAMAR RD.
SAN DIEGO, CA 92126
(858) 549-6340
DIVISION OF RF INDUSTRIES, LTD. (858) 549-6345 FAX**7/16 DIN JACK TO
4.1-9.5 JACK ADAPTER**

SIZE	CABLE GROUP	DWG NO.	REV
A	N/A	RFD-1683-4	A
SCALE:	ENGINEERING ID:	SHEET 1 OF 1	
NTS	001787		

#	DESCRIPTION	QTY	MATERIAL	FINISH
3	CONTACT	1	PHOS. BRONZE	SILVER
2	INSULATOR	1	PTFE	---
1	BODY	1	BRASS	WHITE BRONZE