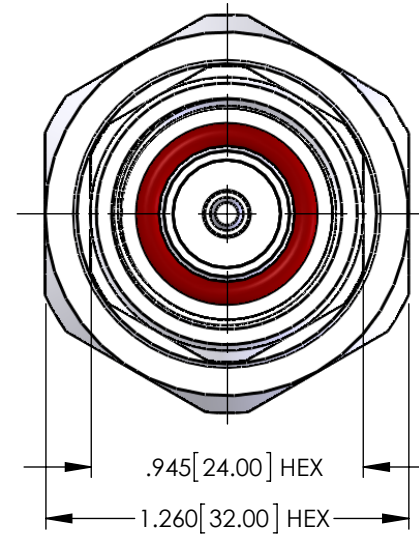
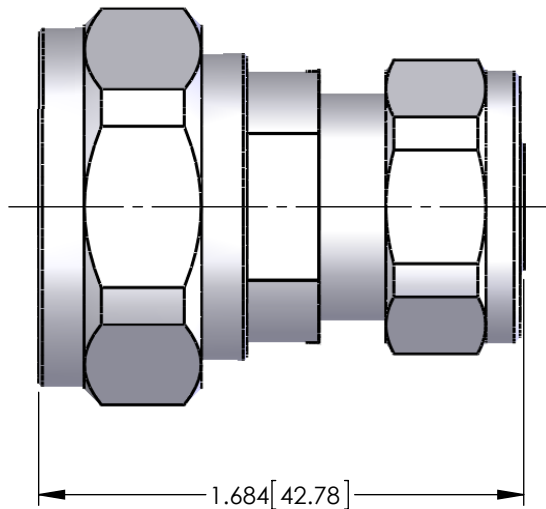
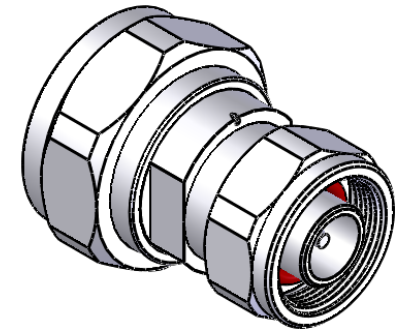
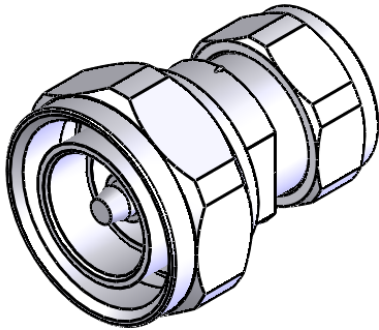


# RFD-1682-4

| REV | DESCRIPTION         | DATE     | APPR |
|-----|---------------------|----------|------|
| -   | ENGINEERING RELEASE | 11/14/14 | JDM  |



## SPECIFICATIONS:

IMPEDANCE: 50 Ohms  
 FREQUENCY RANGE: 0-3 GHz  
 MIN. PIM: -160dBc (1900 MHz)  
 INSERTION LOSS(dB): 0.05 dB MAX. @ 3.0 GHz  
 WORKING VOLTAGE: 1200 Vrms Max. @ Sea Level  
 INSULATION RESISTANCE: 5k M Ohms min.  
 MATING CYCLES: 500  
 TEMPERATURE RANGE: -65°C TO 165°C

**ROHS**  
COMPLIANT

|           |           |          |
|-----------|-----------|----------|
|           | NAME      | DATE     |
| DRAWN     | C. ZUNIGA | 01/14/14 |
| CHECKED   |           |          |
| ENG APPR. |           |          |

**RF INDUSTRIES**  
7610 MIRAMAR RD. SAN DIEGO, CA. 92126  
858-549-6340 FAX 858-549-6345

| 7 | RETAINING RING    | 1   | 027-41M-001-CW | BeCu         | WITHE BRONZE |
|---|-------------------|-----|----------------|--------------|--------------|
| 6 | O-RING            | 1   | 023-41X-001-LX | Rubber       | NONE         |
| 5 | DIN SHELL         | 1   | 012-16M-005-BT | Brass        | WHITE BRONZE |
| 4 | 4.1-9.5 SHELL     | 1   | 012-41M-001-BW | Brass        | WHITE BRONZE |
| 3 | INSULATOR         | 1   | 010-16X-006-TX | PTFE         | NONE         |
| 2 | 7/16-4.1/9.5 PIN  | 1   | 009-16M-004-CS | PHOS. BRONZE | SILVER       |
| 1 | 7/16-4.1/9.5 BODY | 1   | 001-16X-010-BW | Brass        | WHITE BRONZE |
| # | DESCRIPTION       | QTY | PART NUMBER    | MATERIAL     | FINISH       |

|                                      |
|--------------------------------------|
| <b>UNLESS OTHERWISE SPECIFIED:</b>   |
| DIMENSIONS ARE IN INCHES             |
| ALL DIMENSIOS ARE FOR REFERENCE ONLY |
| CABLE GROUP N/A                      |
| CODE 001787                          |

**PROPRIETARY AND CONFIDENTIAL**

THE INFORMATION CONTAINED IN THIS DRAWING IS THE SOLE PROPERTY OF RF INDUSTRIES. ANY REPRODUCTION IN PART OR AS A WHOLE WITHOUT THE WRITTEN PERMISSION OF RF INDUSTRIES IS STRICTLY PROHIBITED.

|   |                               |                 |
|---|-------------------------------|-----------------|
| TITLE:<br><b>7/6 DIN PLUG TO 4.1/9.5 PLUG ADAPTER</b> |                               |                 |
| SIZE<br><b>A</b>                                      | DWG. NO.<br><b>RFD-1682-4</b> | REV<br><b>-</b> |
| SCALE: NTS  | NOTES:                        | SHEET 1 OF 1    |