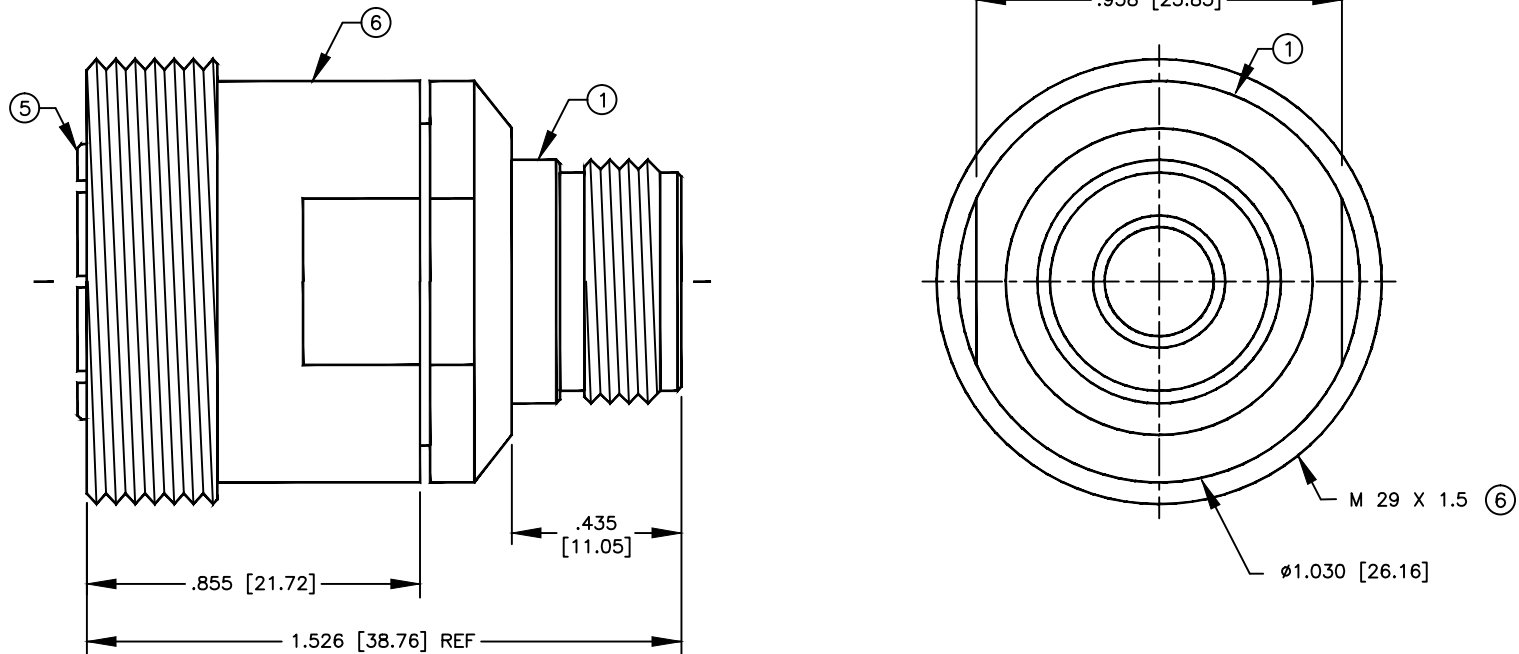


# SPECIFICATION CONTROL DRAWING

THIS DRAWING CONTAINS INFORMATION PROPRIETARY TO RF INDUSTRIES, LTD. ANY UNAUTHORIZED USE OF THIS DRAWING IS EXPRESSLY PROHIBITED. ANY VIOLATION IS PUNISHABLE UNDER U.S. COPYRIGHT LAWS.

REV	DESCRIPTION	DWN	DATE	APPROVED
A	ENGINEERING RELEASE	KMM	7/21/97	R. RICE
B	GROUND RING NOW PHOS BRONZE	CZS	11/10/98	R. RICE

ALL DIMENSIONS ARE REFERENCE ONLY



## SPECIFICATIONS

IMPEDANCE: 50 OHMS  
 FREQUENCY RANGE: DC-7.5 GHz  
 INSERTION LOSS:  $-.01 \text{ dB} \sqrt{\text{FREQUENCY GHz}}$   
 VSWR MAX:  $<1.10:1 @ \text{DC}-7.5 \text{ GHz}$   
 3rd ORDER IM  $-\text{dBc}$ :  $>-150 \text{ dBc}$   
 INTERFACE PER ITL-SPEC-CECC-22190

DIMENSIONS ARE IN INCHES AND [MILLIMETERS]

UNLESS OTHERWISE NOTED TOLERANCES ARE:

DECIMALS      DIAMETER

**RFconnectors**  
 DIVISION OF RF INDUSTRIES, LTD.

7610 MIRAMAR RD  
 SAN DIEGO, CA 92126  
 (619)549-6340  
 (619)549-6345 FAX

RFD-1673-2

7-16 DIN FEMALE TO N FEMALE ADAPTER

ITEM	DESCRIPTION	PART NUMBER	QTY	MATERIAL	FINISH
6	BODY, DIN F	001-16F0001BE	1	BRASS	SILVER
5	GROUND RING	014-16F0001PE	1	PHOS BRONZE	SILVER
4	DIELECTRIC	010-16X0001TX	1	PTFE	NONE
3	CONTACT, N	008-10F0006CE	1	BeCu	SILVER
2	CONTACT, DIN	008-16F0001CE	1	BeCu	SILVER
1	BODY, N	001-10F0003BE	1	BRASS	SILVER

DRAWN	C. ZUNIGA	11/10/98
CHECKED		
ORJ DRAWN	K. MAXWELL	7/21/97
APPROVALS		
DATE		

SIZE	A	CABLE GROUP	N/A	DWG NO.	8729	REV	B
SCALE:	2:1	CAD FILE	13ARC B	SHEET 1 OF 1			