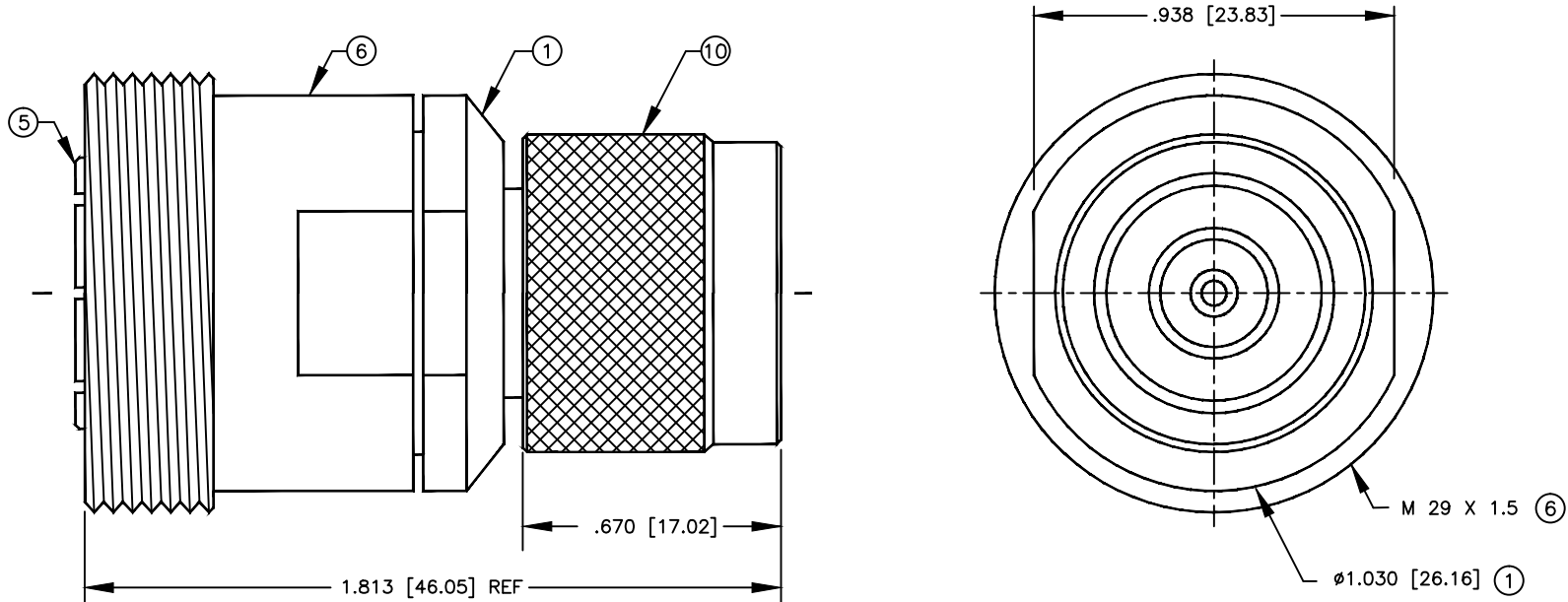


SPECIFICATION CONTROL DRAWING

THIS DRAWING CONTAINS INFORMATION PROPRIETARY TO RF INDUSTRIES, LTD. ANY UNAUTHORIZED USE OF THIS DRAWING IS EXPRESSLY PROHIBITED. ANY VIOLATION IS PUNISHABLE UNDER U.S. COPYRIGHT LAWS.

REV	DESCRIPTION	DWN	DATE	APPROVED
A	ENGINEERING RELEASE	KMM	12/13/96	R. RICE
B	SEPARATE INTO PARTS DRAWINGS	KMM	5/9/97	R. RICE
C	CHANGE GROUND RING PART NUMBER & MATERIAL	CZS	11/10/98	R. RICE

ALL DIMENSIONS ARE REFERENCE ONLY



SPECIFICATIONS

IMPEDANCE: 50 OHMS
 FREQUENCY RANGE: DC-7.5 GHz
 INSERTION LOSS: $-0.01 \text{ dB } \sqrt{\text{FREQUENCY GHz}}$
 VSWR MAX: $<1.10:1$ @ DC-7.5 GHz
 3rd ORDER IM $-d\text{Bc}$: $>-150 \text{ dBc}$
 INTERFACE PER ITL-SPEC-CECC-22190
 & MIL-STD-348A SECTION 304.1

ITEM	DESCRIPTION	PART NUMBER	QTY	MATERIAL	FINISH
11	RETAINING RING	RET-N-1	1	BRASS	SILVER
10	SHELL	012-10M0001BE	1	BRASS	SILVER
9	GASKET	GSF-330-667	1	S.I. RUBBER	RED
8	GROUND RING	014-10M0001CE	1	BeCu	SILVER
7	DIELECTRIC	010-10X0004TX	1	PTFE	NONE
6	BODY	001-16F0001BE	1	BRASS	SILVER
5	GROUND RING	014-16F0001PE	1	PHOS BRONZE	SILVER
4	DIELECTRIC	010-16X0001TX	1	PTFE	NONE
3	CONTACT	009-10M0005BE	1	BRASS	SILVER
2	CONTACT	008-16F0001CE	1	BeCu	SILVER
1	BODY	001-10M0003BE	1	BRASS	SILVER

DIMENSIONS ARE IN INCHES AND [MILLIMETERS]

UNLESS OTHERWISE NOTED TOLERANCES ARE:
DECIMALS DIAMETER

DRAWN
C. ZUNIGA 11/10/98

CHECKED

ORJ DRAWN
K. MAXWELL 9/9/96

APPROVALS DATE

RFconnectors

DIVISION OF RF INDUSTRIES, LTD.

7610 MIRAMAR RD
SAN DIEGO, CA 92126
(619)549-6340
(619)549-6345 FAX

RFD-1672-2

7-16 DIN FEMALE TO N MALE ADAPTER

SIZE A	CABLE GROUP N/A	DWG NO. 8666	REV C
-----------	--------------------	-----------------	----------

SCALE: 2:1	CAD FILE 13ARC B	SHEET 1 OF 1
------------	------------------	--------------