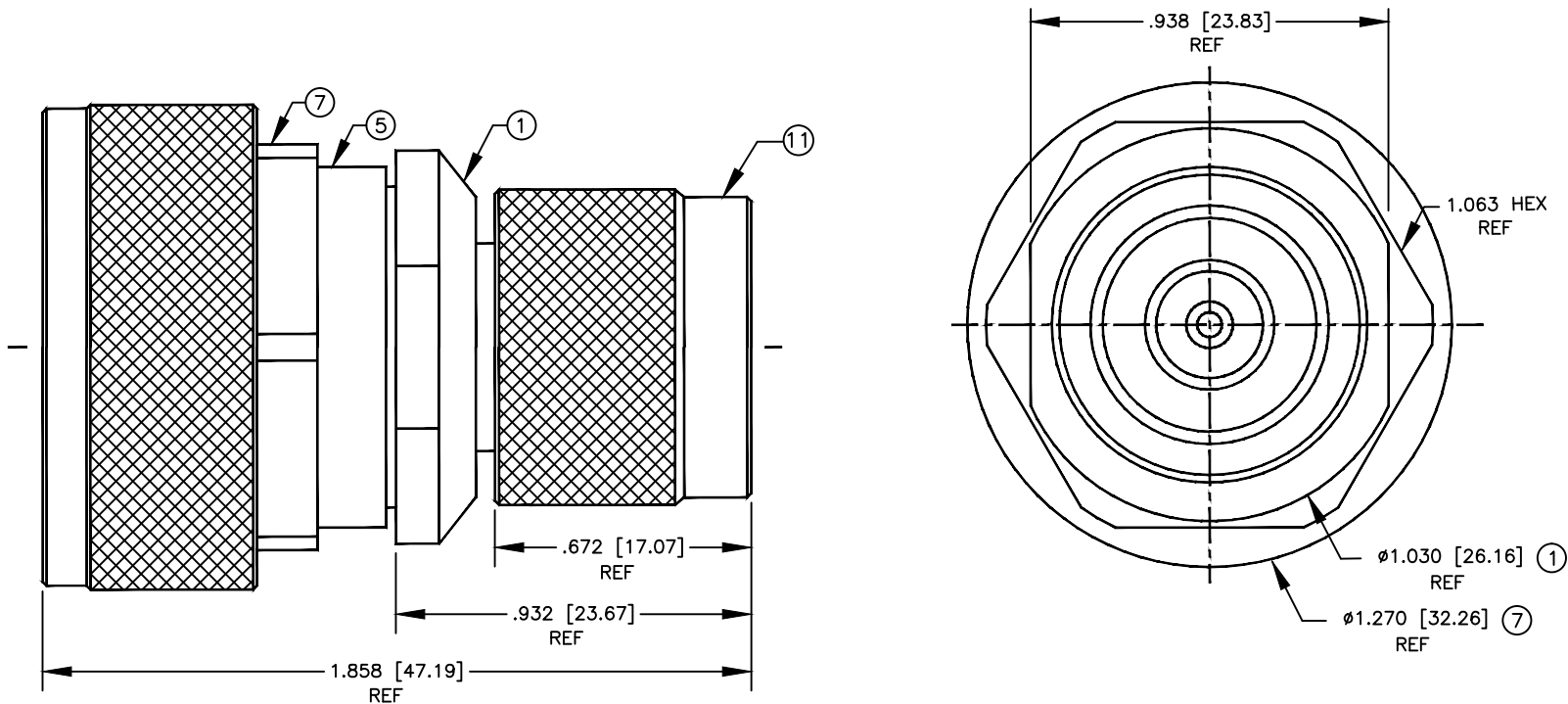


# SPECIFICATION CONTROL DRAWING

THIS DRAWING CONTAINS INFORMATION PROPRIETARY TO RF INDUSTRIES, LTD. ANY UNAUTHORIZED USE OF THIS DRAWING IS EXPRESSLY PROHIBITED. ANY VIOLATION IS PUNISHABLE UNDER U.S. COPYRIGHT LAWS.

REV	DESCRIPTION	DWN	DATE	APPROVED
A	ENGINEERING RELEASE	KMM	5/1/97	R. RICE



IMPEDANCE: 50 OHMS  
 FREQUENCY: 0-7.5 GHz  
 VSWR: < 1.10:1 @ DC-7.5 GHz  
 INSERTION LOSS: -.01 dB √ FREQUENCY GHz  
 3rd ORDER IM -dBc: > -150 dBc

ITM	DESCRIPTION	PART NUMBER	QTY	MATERIAL	FINISH
12	RETAINING RING	RET-N-1	1	BRASS	SILVER
11	SHELL	O12-10M0001BE	1	BRASS	SILVER
10	GASKET	GSF-330-667	1	S.I. RUBBER	RED
9	GROUND RING	O14-10M0001CE	1	BeCu	SILVER
8	DIELECTRIC	O10-10X0004TX	1	PTFE	NONE
7	SHELL	O12-16M0001BE	1	BRASS	SILVER
6	GASKET	GSO-211	1	S.I. RUBBER	RED
5	GROUND RING	O14-16M0001BE	1	BRASS	SILVER
4	DIELECTRIC	O10-16X0001TX	1	PTFE	NONE
3	PIN	009-10M0005BE	1	BRASS	SILVER
2	PIN	009-16M0001BE	1	BRASS	SILVER
1	BODY	001-10M0003BE	1	BRASS	SILVER

DIMENSIONS ARE IN INCHES AND [MILLIMETERS]	
UNLESS OTHERWISE NOTED TOLERANCES ARE:	
DECIMALS	DIAMETER
.XXX±.003 [.08]	.XXX±.001 [.03]
.XX±.005 [.13]	.XX±.003 [.08]
DRAWN	5/1/97
K. MAXWELL	
CHECKED	
ORJ DRAWN	5/1/97
K. MAXWELL	
APPROVALS	DATE

7610 MIRAMAR RD  
 SAN DIEGO, CA 92126  
 (619)549-6340  
 (619)549-6345 FAX

## RF connectors

DIVISION OF RF INDUSTRIES, LTD.

# RFD-1670-2

7/16 DIN MALE TO N MALE

SIZE	CABLE GROUP	DWG NO.	REV
A	N/A	8699	A
SCALE: 2:1		CAD FILE 13ARC B	SHEET 1 OF 1