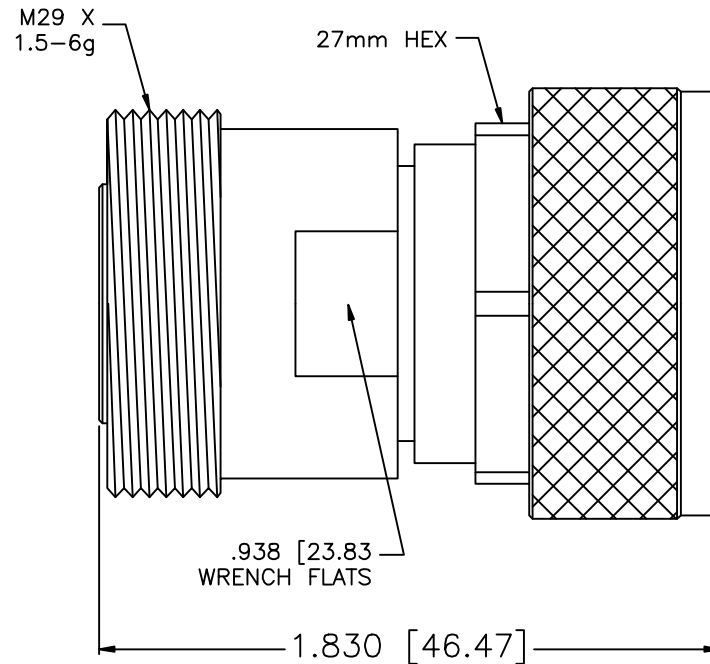


PART NO.

RFD-1660-2

REV	DESCRIPTION	DWN	DATE	APPROVED
A	UPDATED SPECIFICATIONS	CZS	06/01/15	JDMc

SPECIFICATIONS:

IMPEDANCE: 50 OHMS
 FREQUENCY RANGE: DC-7.5 GHz
 INSERTION LOSS: $-.05 \text{ dB} \times \sqrt{\text{FREQUENCY GHz}}$
 VSWR MAX: $<1.1:1$ @ DC-7.5 GHz
 3rd ORDER IM: $<-155 \text{ dBc}$ @ 700 MHz
 RoHS COMPLIANT

CUSTOMER
OUTLINE DRAWINGALL DIMENSIONS
ARE REFERENCE ONLYUNLESS OTHERWISE SPECIFIED:
DIMENSIONS ARE IN INCHES
AND [MILLIMETERS]

DRAWN	JDM	06/01/15
CHECKED		
ORJ DRAWN	C. ZUNIGA	01/00

PROPRIETARY AND CONFIDENTIAL
 THIS DRAWING CONTAINS
 INFORMATION PROPRIETARY TO
 RF INDUSTRIES. ANY
 UNAUTHORIZED USE OF THIS
 DRAWING IS EXPRESSLY
 PROHIBITED WITHOUT WRITTEN
 PERMISSION FROM RF
 INDUSTRIES. ANY VIOLATION IS
 PUNISHABLE UNDER U.S.
 COPYRIGHT LAWS.

RFconnectors
 DIVISION OF RF INDUSTRIES, LTD.

7610 MIRAMAR RD.
 SAN DIEGO, CA 92126
 (858) 549-6340
 (858) 549-6345 FAX

7/16 DIN JACK TO 7/16 DIN PLUG ADAPTER

SIZE	CABLE GROUP	DWG NO.	REV
A	N/A	RFD-1660-2	A
SCALE:	ENGINEERING ID:	SHEET 1 OF 1	
NTS	000000		

#	DESCRIPTION	QTY	MATERIAL	FINISH
7	BODY	1	BRASS	SILVER
6	COUPLING NUT	1	BRASS	SILVER
5	O-RING	1	SILICONE	---
4	INSULATOR	1	PTFE	NATURAL
3	CONTACT	1	BeCu	SILVER
2	PIN	1	BRASS	SILVER
1	GROUND RING	1	BRASS	SILVER