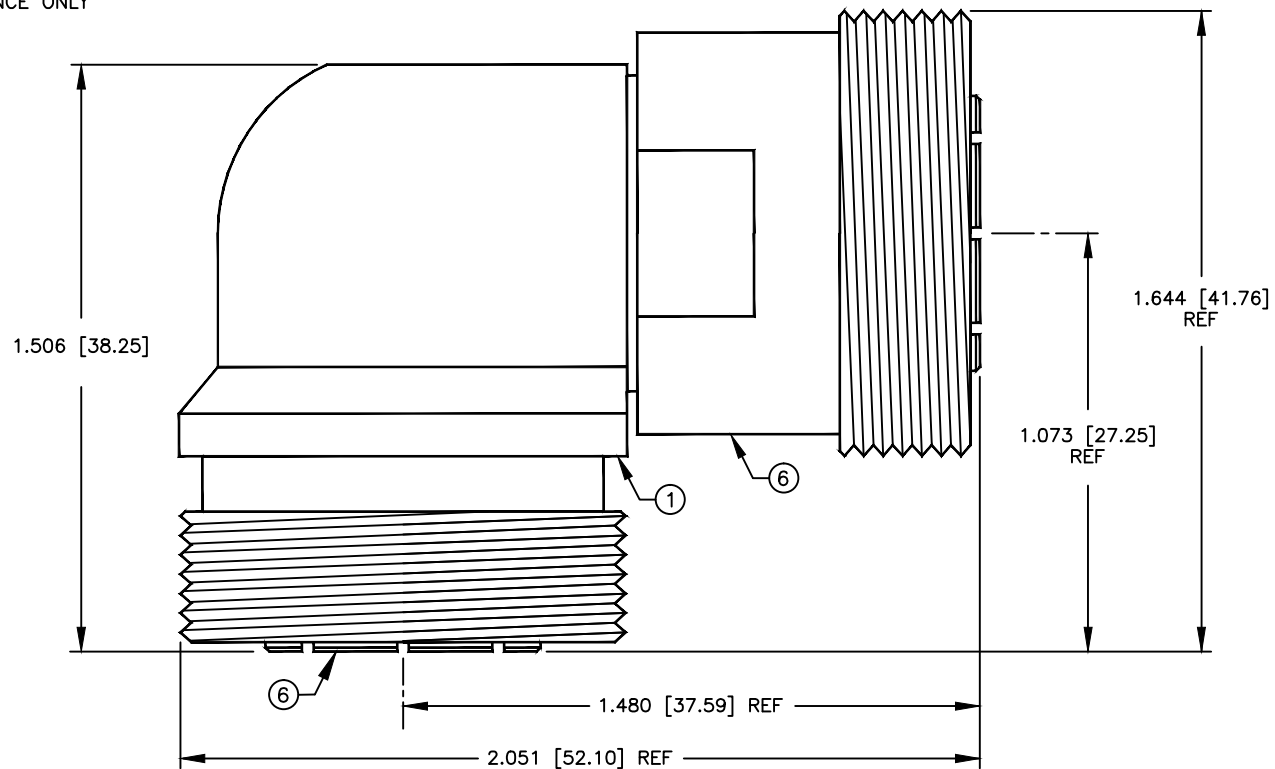


# SPECIFICATION CONTROL DRAWING

THIS DRAWING CONTAINS INFORMATION PROPRIETARY TO RF INDUSTRIES, LTD. ANY UNAUTHORIZED USE OF THIS DRAWING IS EXPRESSLY PROHIBITED. ANY VIOLATION IS PUNISHABLE UNDER U.S. COPYRIGHT LAWS.

REV	DESCRIPTION	DWN	DATE	APPROVED
A	ENGINEERING RELEASE	KMM	8/22/97	R. RICE
B	GROUND RING NOW PHOS BRONZE	CZS	10/19/98	R. RICE

ALL DIMENSIONS ARE REFERENCE ONLY



## SPECIFICATIONS:

IMPEDANCE: 50 OHMS  
 FREQUENCY RANGE: DC-5.5 GHz  
 INSERTION LOSS: -.01 dB √FREQUENCY GHz  
 VSWR: <1.10:1 @ DC-5.5 GHz  
 3rd ORDER IM -dBc: > -150 dBc

DIMENSIONS ARE IN INCHES AND [MILLIMETERS]

UNLESS OTHERWISE NOTED TOLERANCES ARE:  
 DECIMALS      DIAMETER

**RFconnectors**  
 DIVISION OF RF INDUSTRIES, LTD.

7610 MIRAMAR RD  
 SAN DIEGO, CA 92126  
 (619)549-6340  
 (619)549-6345 FAX

## RFD-1658-2

7-16 DIN FEMALE TO 7-16 DIN FEMALE R/A ADAPTER

ITEM	DESCRIPTION	PART NUMBER	QTY	MATERIAL	FINISH
6	DIN F BODY	001-16F0001BE	1	BRASS	SILVER
5	GROUND RING	014-16F0001PE	2	PHOS BRONZE	SILVER
4	DIELECTRIC	010-16X0001TX	2	PTFE	NONE
3	CONTACT SHAFT	013-16X0005BE	1	BRASS	SILVER
2	CONTACT	008-16F0001CE	2	BeCu	SILVER
1	BODY	001-16F0003BE	1	BRASS	SILVER

DRAWN C. ZUNIGA	10/19/98
CHECKED	
ORJ DRAWN K. MAXWELL	8/22/97
APPROVALS	DATE

SIZE A	CABLE GROUP N/A	DWG NO. 8742	REV B
SCALE: NTS		CAD FILE	SHEET 1 OF 1