

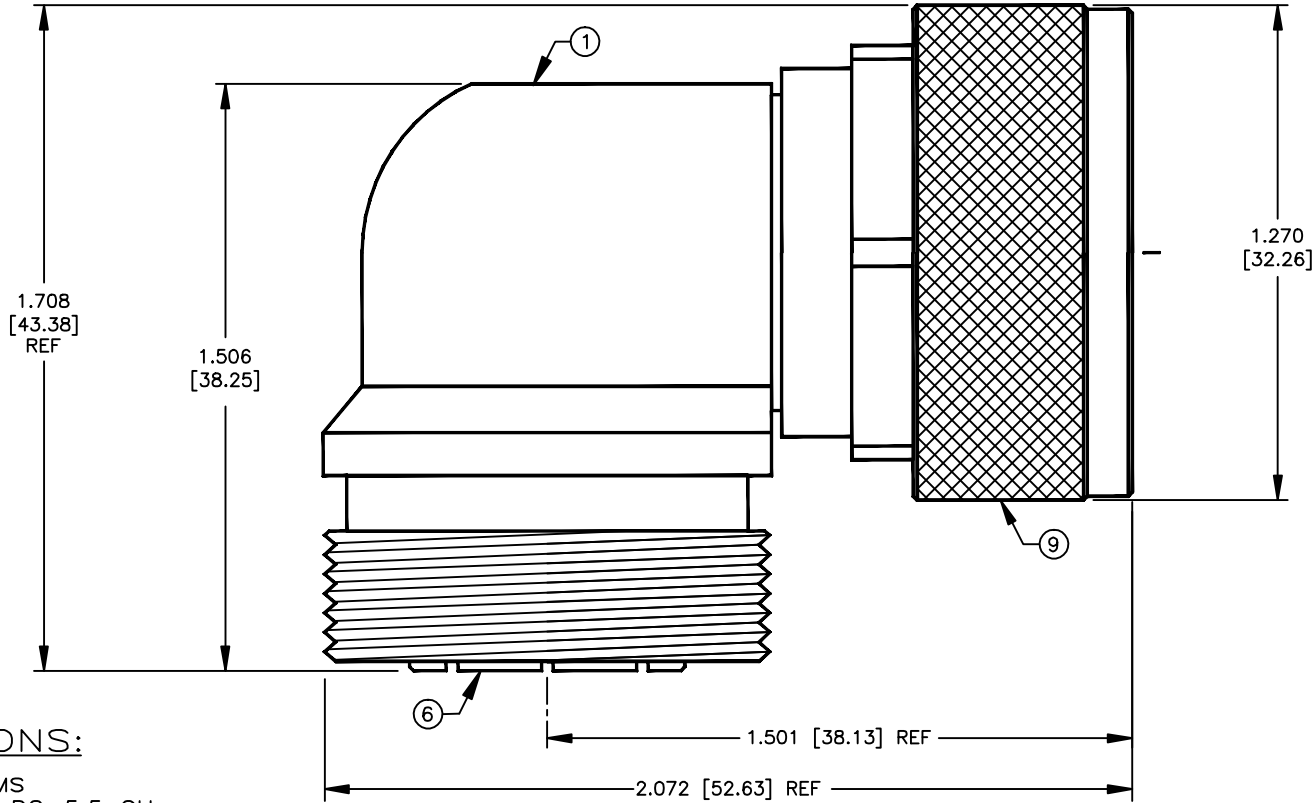
SPECIFICATION CONTROL DRAWING

THIS DRAWING CONTAINS INFORMATION PROPRIETARY TO RF INDUSTRIES, LTD. ANY UNAUTHORIZED USE OF THIS DRAWING IS EXPRESSLY PROHIBITED. ANY VIOLATION IS PUNISHABLE UNDER U.S. COPYRIGHT LAWS.

| REV | DESCRIPTION | DWN | DATE | APPROVED |
|-----|--------------------------|-----|---------|----------|
| A | ENGINEERING RELEASE | KMM | - | R. RICE |
| B | ENGINEERING RELEASE | KMM | 3/12/97 | R. RICE |
| C | CHANGE PART #'S CALL OUT | CZS | 9/9/98 | R. RICE |

ALL DIMENSIONS ARE REFERENCE ONLY

000000



SPECIFICATIONS:

IMPEDANCE: 50 OHMS
 FREQUENCY RANGE: DC-5.5 GHz
 INSERTION LOSS: $-0.01 \text{ dB} \sqrt{\text{FREQUENCY GHz}}$
 VSWR: $<1.10:1$ @ DC-5.5 GHz
 3rd ORDER IM $-d_{Bc}$: $> -150 \text{ dBc}$

| ITEM | DESCRIPTION | PART NUMBER | QTY | MATERIAL | FINISH |
|------|---------------|---------------|-----|-------------|--------|
| 9 | SHELL | 012-16M0001BE | 1 | BRASS | SILVER |
| 8 | O RING | GSO-211 | 1 | S.I. RUBBER | RED |
| 7 | GROUND RING | 014-16M0001BE | 1 | BRASS | SILVER |
| 6 | GROUND RING | 014-16F0001CE | 1 | BeCu | SILVER |
| 5 | DIELECTRIC | 010-16X0001TX | 2 | PTFE | NONE |
| 4 | CONTACT SHAFT | 013-16X0005BE | 1 | BRASS | SILVER |
| 3 | PIN | 009-16M0001BE | 1 | BRASS | SILVER |
| 2 | CONTACT | 008-16F0001CE | 1 | BeCu | SILVER |
| 1 | BODY | 001-16F0003BE | 1 | BRASS | SILVER |

DIMENSIONS ARE IN INCHES AND [MILLIMETERS]

UNLESS OTHERWISE NOTED TOLERANCES ARE:
 DECIMALS DIAMETER

| | | |
|-----------|------------|---------|
| DRAWN | C. ZUNIGA | 9/9/98 |
| CHECKED | | |
| ORJ DRAWN | K. MAXWELL | 3/12/97 |

| | |
|-----------|------|
| APPROVALS | DATE |
|-----------|------|

RFconnectors
 DIVISION OF RF INDUSTRIES, LTD.

7610 MIRAMAR RD
 SAN DIEGO, CA 92126
 (619)549-6340
 (619)549-6345 FAX

RFD-1652-2

7-16 DIN FEMALE TO 7-16 DIN MALE R/A ADAPTER

| | | | |
|------|-------------|---------|-----|
| SIZE | CABLE GROUP | DWG NO. | REV |
| A | N/A | 8554 | C |

| | | | | | |
|--------|-----|----------|---------|-------|--------|
| SCALE: | 2:1 | CAD FILE | 13ARC B | SHEET | 1 OF 1 |
|--------|-----|----------|---------|-------|--------|