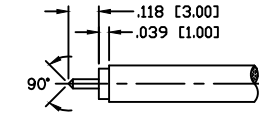
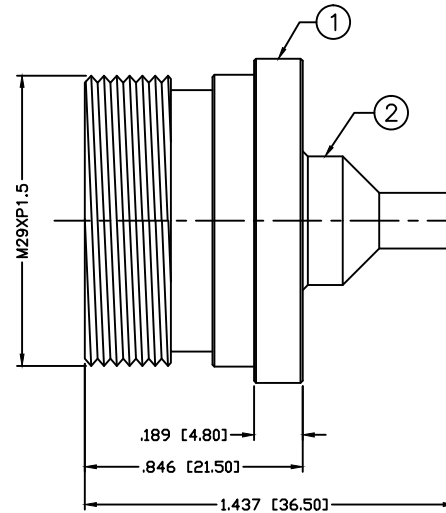
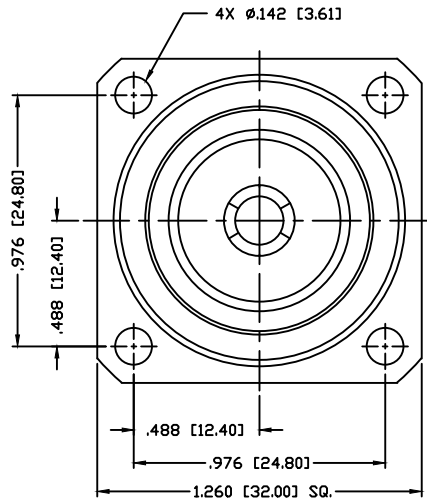


PART NO.

RFD-1644-2SR2

REV	DESCRIPTION	DWN	DATE	APPROVED
D	REMOVED DUST COVER FROM BOM	CZS	05/04/15	JDMc



RECOMMENDED STRIPPING DIMENSIONS

1. STRIP CABLE TO DIMENSION SHOWN.
2. INSERT CABLE INTO THE CABLE ENTRY UNTIL THE CABLE YIELDS IN PLACE INSIDE REAR CONTACT.
3. SOLDER OUTER CABLE CONDUCTOR AT CABLE ENTRY.
4. INSPECT SOLDER JOINT FOR VOIDS.

SPECIFICATIONS:

IMPEDANCE: 50 Ohms
 FREQUENCY RANGE: 0–7.5 GHz
 PEAK POWER: 13.2 KW max.
 AVERAGE POWER: 3.0 KW max.
 TEMPERATURE RANGE: –55°C TO 150°C
 FOR .141 SEMI RIGID, RG–402/U & BELDEN 1673A CABLE

5	GROUND RING	1	BRASS	SILVER, 120 μ "
4	CONTACT	1	Be.Cu.	SILVER, 200 μ "
3	INSULATOR	1	PTFE	---
2	PRESS BODY	1	BRASS	SILVER, 120 μ "
1	BODY	1	BRASS	SILVER, 120 μ "
#	DESCRIPTION	QTY	MATERIAL	FINISH

CUSTOMER OUTLINE DRAWING	
ALL DIMENSIONS ARE REFERENCE ONLY	
UNLESS OTHERWISE SPECIFIED: DIMENSIONS ARE IN INCHES AND [MILLIMETERS]	
DRAWN C. ZUNIGA	05/04/15
CHECKED	
ORJ DRAWN C. ZUNIGA	02/15/99

**RoHS
COMPLIANT**

PROPRIETARY AND CONFIDENTIAL
 THIS DRAWING CONTAINS
 INFORMATION PROPRIETARY TO
 RF INDUSTRIES. ANY
 UNAUTHORIZED USE OF THIS
 DRAWING IS EXPRESSLY
 PROHIBITED WITHOUT WRITTEN
 PERMISSION FROM RF
 INDUSTRIES. ANY VIOLATION IS
 PUNISHABLE UNDER U.S.
 COPYRIGHT LAWS.

RFconnectors
 DIVISION OF RF INDUSTRIES, LTD.

7610 MIRAMAR RD.
 SAN DIEGO, CA 92126
 (858) 549-6340
 (858) 549-6345 FAX

7/16 DIN JACK
 DIRECT SOLDER, 4 HOLE FLANGE

SIZE A	CABLE GROUP SR2	DWG NO. RFD-1644-2SR2	REV D
SCALE: NTS	ENGINEERING ID: 008974	SHEET 1 OF 1	