

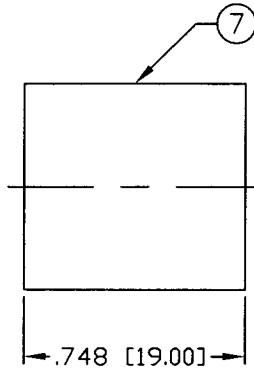
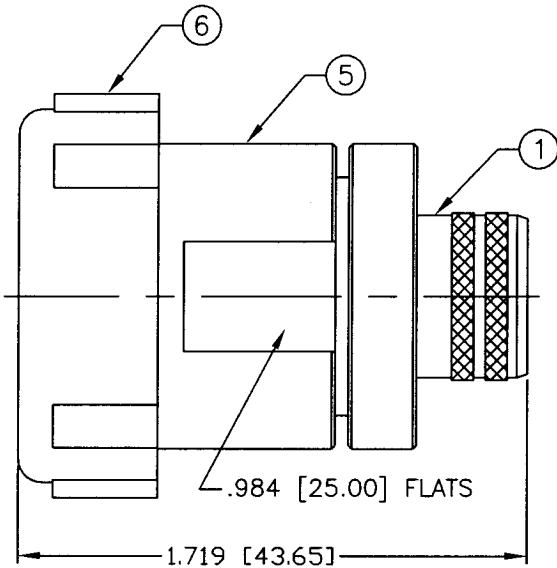
THIS DRAWING CONTAINS INFORMATION PROPRIETARY TO RF INDUSTRIES.  
 ANY UNAUTHORIZED USE OF THIS DRAWING IS EXPRESSLY PROHIBITED  
 WITHOUT WRITTEN PERMISSION FROM RF INDUSTRIES.  
 ANY VIOLATION IS PUNISHABLE UNDER U.S. COPYRIGHT LAWS.

ALL DIMENSIONS ARE REFERENCE ONLY

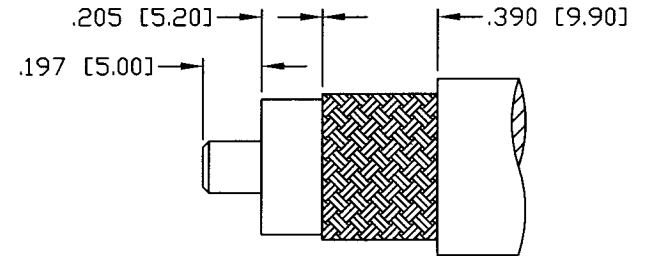
PART NO.

**RFD-1631-2L2**

REV	DESCRIPTION	DWN	DATE	APPROVED
-	ENGINEERING RELEASE	JDM	8/1/00	JDMc
A	CHANGE FORMAT & SPECS	GGG	2/13/02	JDMc
B	CORRECT CABLE GROUP LIST	CZS	3/26/04	JDMc



RECOMMENDED CRIMP DIE: .60"



RECOMMENDED  
STRIPPING DIMENSIONS

**SPECIFICATIONS:**

IMPEDANCE: 50 Ohms  
 FREQUENCY RANGE: 0-7.5 GHz  
 PEAK POWER: 13.2 Kw max.  
 AVERAGE POWER: 3.0 Kw max.  
 TEMPERATURE RANGE: -55°C TO 165°C  
 FOR TIMES LMR-600, LMR-600 ULTRAFLEX & T-COM-600

1	FERRULE STUD	1	BRASS	SILVER, 120μ"	008974	
2	INSULATOR	1	PTFE	---		
3	CONTACT	1	Be-Cu	SILVER, 200μ"		
4	GASKET	1	SILICONE	---		
5	BODY	1	BRASS	SILVER, 120μ"		
6	CAP	1	PE	BLUE		
7	FERRULE	1	BRASS	SILVER, 120μ"		
8						
9						
10						
11						
12						
13						
14						
#	DESCRIPTION	QTY	MATERIAL	FINISH	APPROVALS	DATE

DRAWN  
C. ZUNIGA  
3/26/04  
 CHECKED  
*[Signature]*  
3/26/04  
 ORJ DRAWN  
C. ZUNIGA  
3/7/00

UNLESS OTHERWISE SPECIFIED:

DIMENSIONS ARE IN INCHES  
AND [MILLIMETERS]  
UNLESS OTHERWISE NOTED  
TOLERANCES ARE:  
DECIMALS      DIAMETER

**RF connectors**  
DIVISION OF RF INDUSTRIES, LTD.

7610 MIRAMAR RD  
SAN DIEGO, CA 92126  
(858) 549-6340  
(858) 549-6345 FAX

**7/16, STRAIGHT JACK**

CRIMP

SIZE A	CABLE GROUP L2	DWG NO. RFD-1631-2L2	REV B
-----------	-------------------	-------------------------	----------

SCALE: NTS

CAD FILE OUTLINE

SHEET 1 OF 1