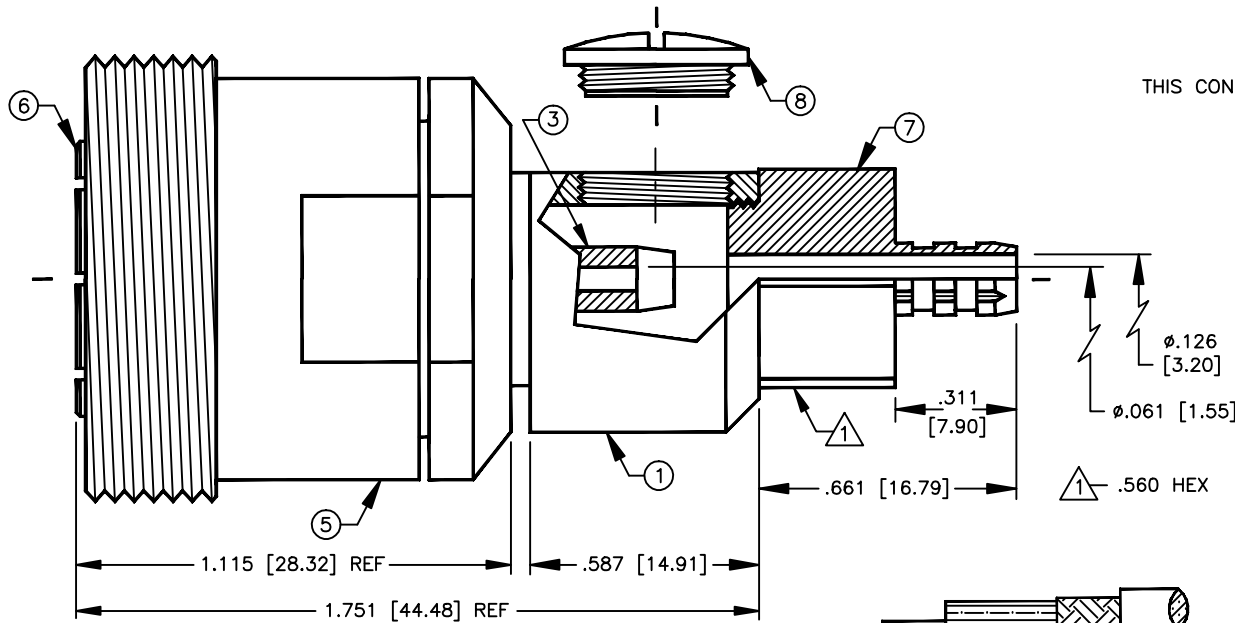


SPECIFICATION CONTROL DRAWING

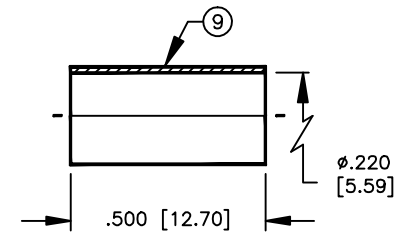
THIS DRAWING CONTAINS INFORMATION PROPRIETARY TO RF INDUSTRIES, LTD. ANY UNAUTHORIZED USE OF THIS DRAWING IS EXPRESSLY PROHIBITED. ANY VIOLATION IS PUNISHABLE UNDER U.S. COPYRIGHT LAWS.

REV	DESCRIPTION	DWN	DATE	APPROVED
A	ENGINEERING RELEASE	CZS	12/7/98	R. RICE

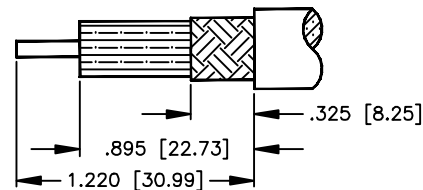


ALL DIMENSIONS ARE REFERENCE ONLY

THIS CONNECTOR MAY BE ASSEMBLED STRAIGHT OR RIGHT ANGLE

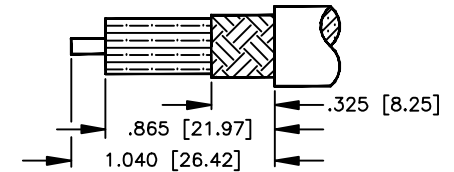


SUGGESTED CRIMP DIE: .213



SUGGESTED STRIPPING INSTRUCTIONS [STRAIGHT]

SCALE: NONE



SUGGESTED STRIPPING INSTRUCTIONS [R/ANGLE]

SCALE: NONE

SPECIFICATIONS:

IMPEDANCE: 50 OHMS
 FREQUENCY RANGE: DC-7.5 GHz
 INSERTION LOSS: -.1 dB √ FREQUENCY GHz
 VSWR: <1.15:1 @ DC-2.0 GHz
 3rd ORDER IM -dBc: > -150 dBc
 (C) FOR RG-58, 58A, 58C, 141, 141A, 400/U, BELDEN 8240, 8259, 8262, 9201, 9203, 9310, 9311,
 COMM/SCOPE 0268 & CUSHCRAFT ULTRALINK TL92463E
 (C2) FOR TIMES LMR-200, LMR-200 ULTRAFLEX, ALPHA 9848 & MSI-22
 INTERFACE PER ITL-SPEC-CECC-22190

ITEM	DESCRIPTION	PART NUMBER	QTY	MATERIAL	FINISH
9	FERRULE	FER-203	1	BRASS	SILVER
8	SCREW CAP	O20-XXX0001BE	1	BRASS	SILVER
7	BACK NUT	O04-XXX0012BE	1	BRASS	SILVER
6	GROUND RING	O14-16F0001PE	1	PHOS BRONZE	SILVER
5	BODY, 7-16 DIN F	O01-16F0001BE	1	BRASS	SILVER
4	DIELECTRIC	O10-16X0001TX	1	PTFE	NONE
3	CONTACT, CABLE	O05-XXX0005BE	1	BRASS	SILVER
2	CONTACT	O08-16F0001CE	1	BeCu	SILVER
1	BODY	O01-16X0003BE	1	BRASS	SILVER

DIMENSIONS ARE IN INCHES AND [MILLIMETERS]

UNLESS OTHERWISE NOTED TOLERANCES ARE:
 DECIMALS DIAMETER

DRAWN	C. ZUNIGA	12/7/98
CHECKED		
ORJ DRAWN	C. ZUNIGA	12/7/98

APPROVALS	DATE
-----------	------

RF connectors
 DIVISION OF RF INDUSTRIES, LTD.

7610 MIRAMAR RD
 SAN DIEGO, CA 92126
 (858)549-6340
 (858)549-6345 FAX

RFD-1630-2-C

7-16 DIN FEMALE COMBINATION CRIMP

SIZE	CABLE GROUP	DWG NO.	REV
A	C, C2	8988	A
SCALE:	NTS	CAD FILE	SHEET 1 OF 1