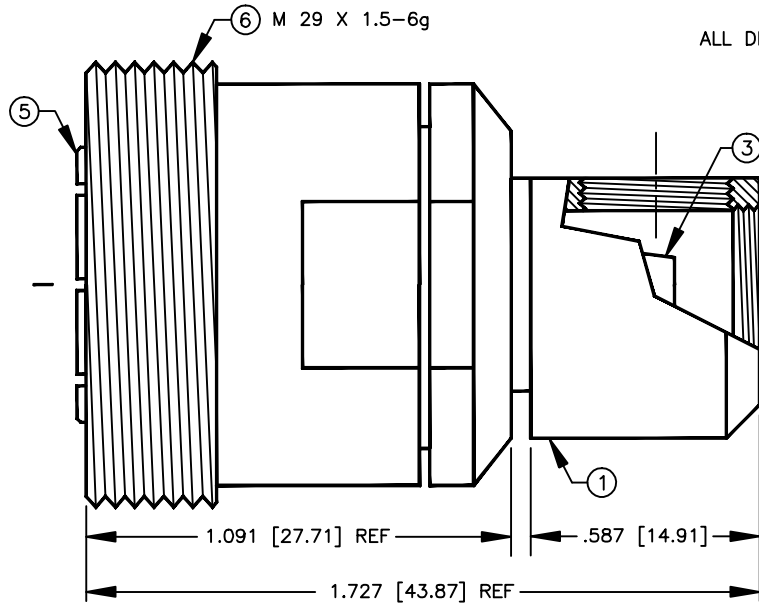


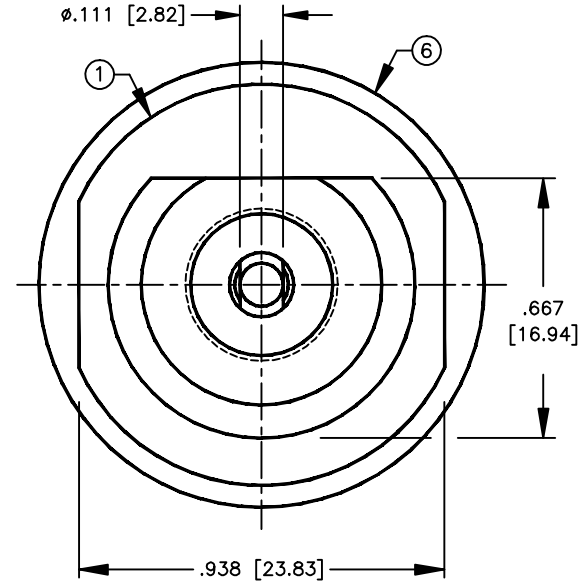
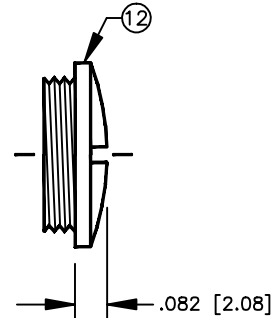
# SPECIFICATION CONTROL DRAWING

THIS DRAWING CONTAINS INFORMATION PROPRIETARY TO RF INDUSTRIES, LTD. ANY UNAUTHORIZED USE OF THIS DRAWING IS EXPRESSLY PROHIBITED. ANY VIOLATION IS PUNISHABLE UNDER U.S. COPYRIGHT LAWS.

REV	DESCRIPTION	DWN	DATE	APPROVED
A	ENGINEERING RELEASE	CZS	9/10/97	R. RICE
B	GROUND RING NOW PHOS BRONZE	CZS	10/15/98	R. RICE



ALL DIMENSIONS ARE REFERENCE ONLY



000000

IMPEDANCE: 50 OHMS  
 FREQUENCY RANGE: 0-7.5 GHz  
 INSERTION LOSS:  $-.1\text{dB} \sqrt{\text{FREQUENCY GHz}}$   
 VSWR MAX:  $<1.15:1$  @ DC-2.0 GHz  
 3rd ORDER I.M.:  $>-150$  dBC  
 INTERFACE PER ITL-SPEC-CECC-22190  
 (E) FOR RG-8, 8A, 213/U, BELDEN 8237, 8267, 9251 & 9880  
 (I) FOR BELDEN 8214, 9913, 9914, RG-8/U TYPE, RG-393/U,  
 CAROL C1180, TIMES AA-5886 & LMR-400 CABLE

ITEM	DESCRIPTION	PART NUMBER	QTY	MATERIAL	FINISH
12	SCREW CAP	020-XXX0001BE	1	BRASS	SILVER
11	BACK NUT	004-XXX0010BE	1	BRASS	SILVER
10	WASHER	018-XXX0002BE	1	BRASS	SILVER
9	GASKET	022-XXX0001RX	1	S.I.RUBBER	RED
8	CLAMP	021-XXX0001BE	1	BRASS	SILVER
7	CLAMP BODY	001-XXX0003BE	1	BRASS	SILVER
6	BODY	001-16F0001BE	1	BRASS	SILVER
5	PRESS FIT GND RING	014-16F0001PE	1	PHOS BRONZE	SILVER
4	DIELECTRIC	010-16X0001TX	1	PTFE	NONE
3	CONTACT, CABLE	005-XXX0006BE	1	BRASS	SILVER
2	CONTACT	008-16F0001CE	1	BeCu	SILVER
1	BODY	001-16X0003BE	1	BRASS	SILVER

DIMENSIONS ARE IN INCHES AND [MILLIMETERS]

UNLESS OTHERWISE NOTED TOLERANCES ARE:  
 DECIMALS DIAMETER

DRAWN	C. ZUNIGA	10/15/98
CHECKED		
ORJ DRAWN	C. ZUNIGA	9/10/97
APPROVALS		DATE

**RFconnectors**  
 DIVISION OF RF INDUSTRIES, LTD.

7610 MIRAMAR RD  
 SAN DIEGO, CA 92126  
 (619)549-6340  
 (619)549-6345 FAX

## RFD-1625-2-E

7-16 DIN FEMALE CLAMP

SIZE	CABLE GROUP	DWG NO.	REV
A	E, I	8753	B
SCALE:	2:1	CAD FILE	13ARC B
			SHEET 1 OF 2