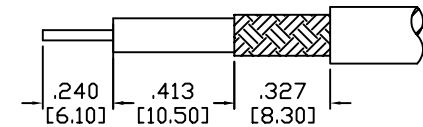
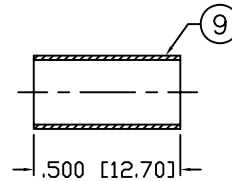
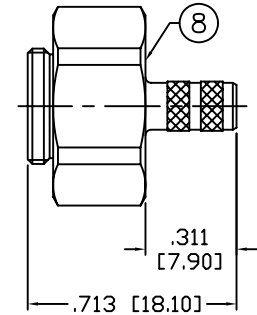
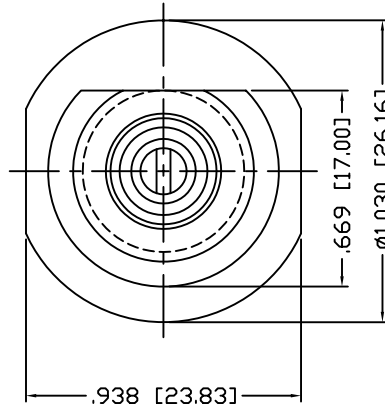
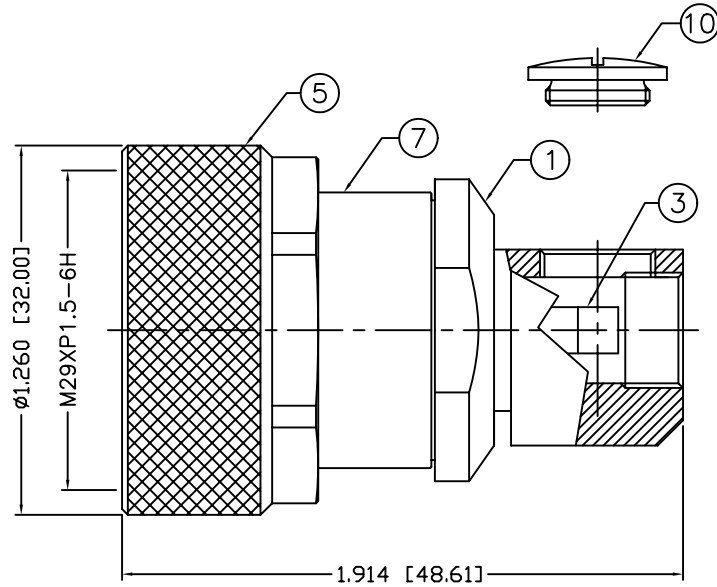


THIS DRAWING CONTAINS INFORMATION PROPRIETARY TO RF INDUSTRIES,
 ANY UNAUTHORIZED USE OF THIS DRAWING IS EXPRESSLY PROHIBITED
 WITHOUT WRITTEN PERMISSION FROM RF INDUSTRIES.
 ANY VIOLATION IS PUNISHABLE UNDER U.S. COPYRIGHT LAWS.

ALL DIMENSIONS ARE REFERENCE ONLY

PART NO.		RFD-1605-2-C1		
REV	DESCRIPTION	DWN	DATE	APPROVED
-	ENGINEERING RELEASE	CZS	9/15/04	JDMc



SPECIFICATIONS:

IMPEDANCE: 50 Ohms
 FREQUENCY RANGE: 0-7.5 GHz
 PEAK POWER: 13.2 Kw max.
 AVERAGE POWER: 3.0 Kw max.
 TEMPERATURE RANGE: -55°C TO 150°C
 FOR RG-55, 55A, 55B, 142, 142A, 142B, 223 & 400/U,
 ALPHA 9055, 9055B, 9223, BELDEN 8219, 83242, 84142

RECOMMENDED CRIMP DIE: .213"

RECOMMENDED STRIPPING DIMENSIONS

1	BODY	1	BRASS	SILVER, 120 μ"	008974	
2	INSULATOR	1	PTFE	---		
3	PIN	1	BRASS	SILVER, 200 μ"		
4	GASKET	1	SILICONE	---		
5	SHELL	1	BRASS	SILVER, 120 μ"		
6	GASKET	1	SILICONE	---		
7	GROUND RING	1	BRASS	SILVER, 120 μ"		
8	FERRULE STUD	1	BRASS	SILVER, 120 μ"		
9	FERRULE	1	BRASS	SILVER, 120 μ"		
10	COVER	1	BRASS	SILVER, 120 μ"		
11					DRAWN C. ZUNIGA	2/8/05
12					CHECKED	
13					ORJ DRAWN C. ZUNIGA	2/8/05
14						
#	DESCRIPTION	QTY	MATERIAL	FINISH	APPROVALS	DATE

UNLESS OTHERWISE SPECIFIED:

DIMENSIONS ARE IN INCHES AND [MILLIMETERS]
 UNLESS OTHERWISE NOTED TOLERANCES ARE:

DECIMALS	DIAMETER
----------	----------

RF connectors
 DIVISION OF RF INDUSTRIES, LTD.

7610 MIRAMAR RD
 SAN DIEGO, CA 92126
 (858) 549-6340
 (858) 549-6345 FAX

7/16 PLUG, CRIMP
 R/A-STRAIGHT COMBO

SIZE	CABLE GROUP	DWG NO.	REV
A	C 1	RFD-1605-2-C1	-

SCALE: NTS CAD FILE OUTLINE SHEET 1 OF 1