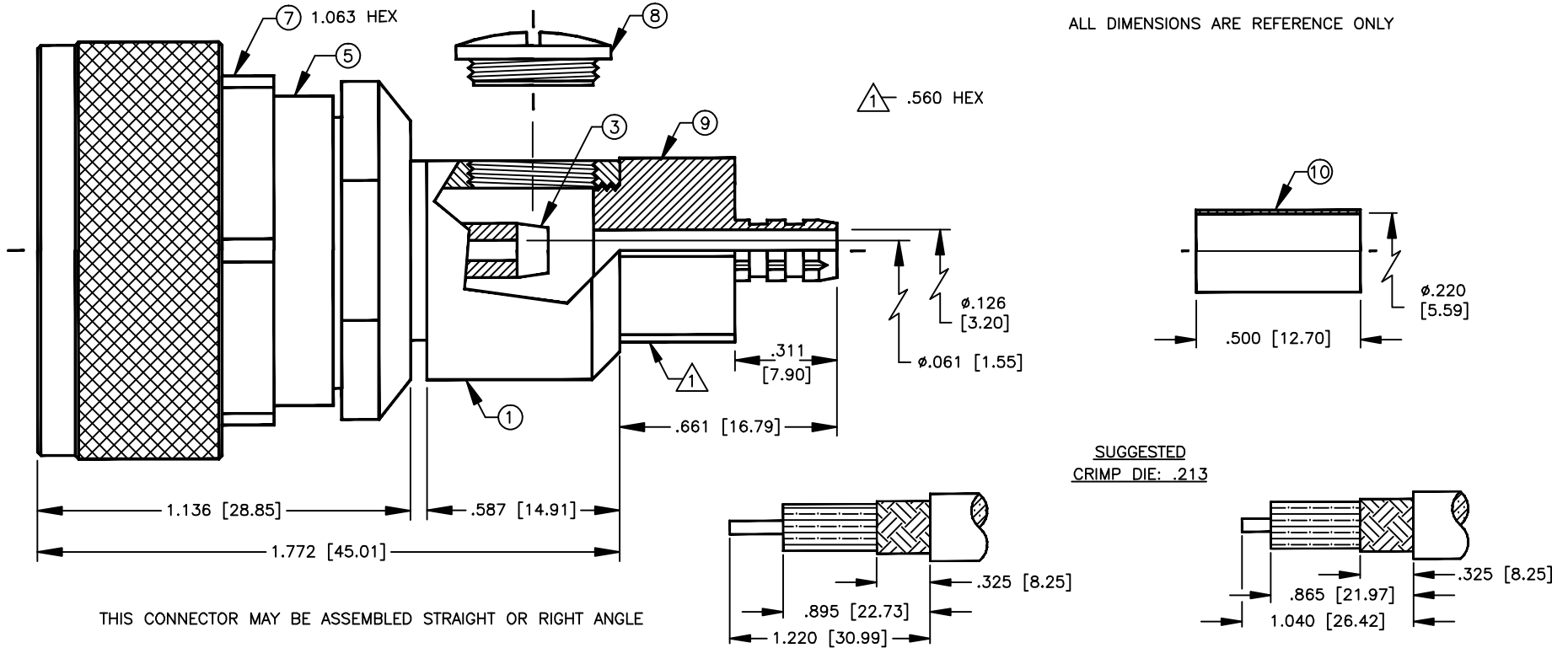


SPECIFICATION CONTROL DRAWING

THIS DRAWING CONTAINS INFORMATION PROPRIETARY TO RF INDUSTRIES, LTD. ANY UNAUTHORIZED USE OF THIS DRAWING IS EXPRESSLY PROHIBITED. ANY VIOLATION IS PUNISHABLE UNDER U.S. COPYRIGHT LAWS.

REV	DESCRIPTION	DWN	DATE	APPROVED
A	ENGINEERING RELEASE	KMM	10/23/97	R. RICE



IMPEDANCE: 50 OHMS
 (C) FOR RG-58, 58A, 58C, 141, 141A, 400/U, BELDEN 8240, 8259, 8262, 9201, 9203, 9310, 9311, COMM/SCOPE 0268 & CUSHCRAFT ULTRALINK TL92463E
 (C2) FOR TIMES LMR-200, LMR-200 ULTRAFLEX, ALPHA 9848 & MSI-22

ITEM	DESCRIPTION	PART NUMBER	QTY	MATERIAL	FINISH
10	FERRULE	FER-203	1	BRASS	SILVER
9	BACK NUT	004-XXX0012BE	1	BRASS	SILVER
8	SCREW CAP	020-XXX0001BE	1	BRASS	SILVER
7	SHELL	012-16M0001BE	1	BRASS	SILVER
6	GASKET	GSO-211	1	S.I. RUBBER	RED
5	GROUND RING	014-16M0001BE	1	BRASS	SILVER
4	DIELECTRIC	010-16X0001TX	1	PTFE	NONE
3	CONTACT, CABLE	005-XXX0005BE	1	BRASS	SILVER
2	PIN	009-16M0001BE	1	BRASS	SILVER
1	BODY	001-16X0003BE	1	BRASS	SILVER

DIMENSIONS ARE IN INCHES AND [MILLIMETERS]
 UNLESS OTHERWISE NOTED TOLERANCES ARE:
 DECIMALS DIAMETER

DRAWN K. MAXWELL 10/23/97
 CHECKED
 ORJ DRAWN K. MAXWELL 10/23/97
 APPROVALS DATE

RF connectors
 DIVISION OF RF INDUSTRIES, LTD.

7610 MIRAMAR RD
 SAN DIEGO, CA 92126
 (858)549-6340
 (858)549-6345 FAX

RFD-1605-2-C

7/16 DIN MALE CRIMP

SIZE	CABLE GROUP	DWG NO.	REV
A	C, C2	8783	A
SCALE:	NTS	CAD FILE 13ARC B	SHEET 1 OF 1