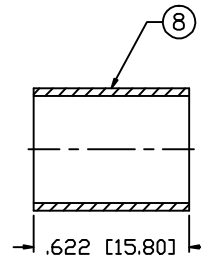
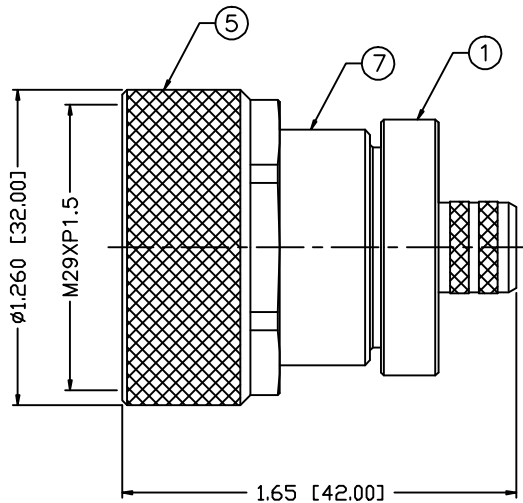


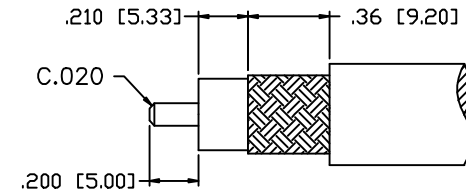
THIS DRAWING CONTAINS INFORMATION PROPRIETARY TO RF INDUSTRIES,
 ANY UNAUTHORIZED USE OF THIS DRAWING IS EXPRESSLY PROHIBITED
 WITHOUT WRITTEN PERMISSION FROM RF INDUSTRIES.
 ANY VIOLATION IS PUNISHABLE UNDER U.S. COPYRIGHT LAWS.

ALL DIMENSIONS ARE REFERENCE ONLY

PART NO.		RFD-1604-2I		
REV	DESCRIPTION	DWN	DATE	APPROVED
-	ENGINEERING RELEASE	CZS	8/22/00	JDMc
A	ADDED NOTE	JDM	2/21/14	JDMc
B	CHNG LENGTH BY 2mm CHANGED STRIP DIM	JDM	2/26/14	JDMc



RECOMMENDED CRIMP DIE .429"



RECOMMENDED STRIPPING DIMENSIONS

SPECIFICATIONS:

IMPEDANCE: 50 Ohms
 FREQUENCY RANGE: 0-7.5 GHz
 PEAK POWER: 13.2 Kw max.
 AVERAGE POWER: 3.0 Kw max.
 TEMPERATURE RANGE: -55°C TO 165°C
 FOR BELDEN 8214, 9913, 9914,
 LMR-400 CABLE

FOR SOLD CENTER CONDUCTOR ONLY

1	FERULE STUD	1	BRASS	SILVER, 120μ"	008974	
2	INSULATOR	1	PTFE	---		
3	PIN	1	Be.Cu.	SILVER, 200μ"		
4	GASKET	1	SILICONE	---		
5	SHELL	1	BRASS	SILVER, 120μ"		
6	GASKET	1	SILICONE	---		
7	BODY	1	BRASS	SILVER, 120μ"		
8	FERRULE	1	BRASS	SILVER, 120μ"		
9						
10					DRAWN	
11					C. ZUNIGA	
12					2/12/02	
13					CHECKED	
14						
					ORJ DRAWN	
					C. ZUNIGA	
					2/12/02	
#	DESCRIPTION	QTY	MATERIAL	FINISH	APPROVALS	DATE

UNLESS OTHERWISE SPECIFIED:
 1. REMOVE ALL BURRS
 2. BREAK ALL CORNERS & EDGES .005 R. MAX.
 3. CHAMFER 1ST & LAST THREADS 45°
 4. SURFACE ROUGHNESS 63 FINISH MIL-STD-10
 5. DIAMETERS ON COMMON CENTERS TO BE CONCENTRIC WITHIN .002 T.I.R.
 6. ALL DIMENSIONS ARE AFTER PLATING.

DIMENSIONS ARE IN INCHES AND [MILLIMETERS]
 UNLESS OTHERWISE NOTED TOLERANCES ARE:
 DECIMALS DIAMETER
 .XXX±.003 [.08] .XXX±.001 [.03]
 .XX±.005 [.13] .XX±.003 [.08]

RFconnectors 7610 MIRAMAR RD
 SAN DIEGO, CA 92126
 (858) 549-6340
 DIVISION OF RF INDUSTRIES, LTD. (858) 549-6345 FAX

7-16 DIN PLUG, CRIMP
 CAPTIVATED PIN

SIZE	CABLE GROUP	DWG NO.	REV
A	LMR-400	RFD-1604-2I	B
SCALE: NTS		CAD FILE OUTLINE	SHEET 1 OF 1