

ENVELOPE / ASSEMBLY DRAWING

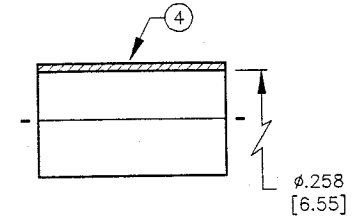
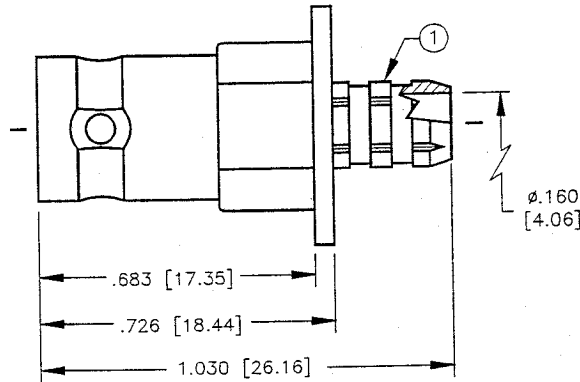
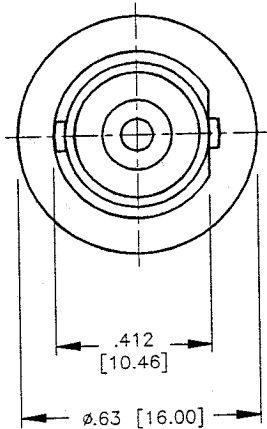
000250

SPECIFICATION CONTROL DRAWING

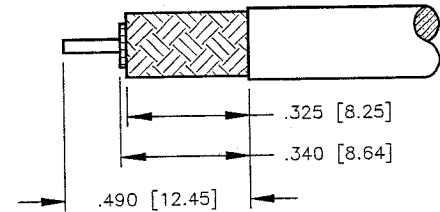
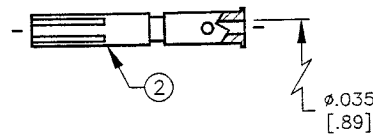
THIS DRAWING CONTAINS INFORMATION PROPRIETARY TO RF INDUSTRIES, LTD. ANY UNAUTHORIZED USE OF THIS DRAWING IS EXPRESSLY PROHIBITED. ANY VIOLATION IS PUNISHABLE UNDER U.S. COPYRIGHT LAWS.

REV	DESCRIPTION	DWN	DATE	APPROVED
A	ENGINEERING RELEASE	PB	9/17/92	J. BENZ
B	CAHNGE FLANGE THICKNESS	KMM	8/6/93	C. JONES
C	CHANGE DIMENSIONS THROUGHOUT / UPDATE DWG	CZS	8/20/99	R. RICE

ALL DIMENSIONS ARE REFERENCE ONLY



MOUNTING CONFIGURATION
NOTE: THIS CONNECTOR IS DESIGNED FOR WALL PLATE APPLICATION



SUGGESTED STRIPPING INSTRUCTIONS

SUGGESTED CRIMP DIE: .068 & .255

SPECIFICATIONS:

IMPEDANCE: 75 OHMS
WORKING VOLTAGE: 500 VRMS @ SEA LEVEL
FREQUENCY RANGE: 0-1 GHZ
INSERTION LOSS: \leq -.2 dB @ 1 GHZ
VSWR MAX: 1.3:1 @ 1 GHZ
FOR RG-59, 59A, 59B, 62, 62A, 62C 71, 140 & 210/U,
BELDEN 8221, 8241, 8241A, 8254, 8255, 8263, 9169,
9204, 9228, 9244, 9269 & 9862 CABLE
INTERFACE PER MIL-STD-348

DIMENSIONS ARE IN INCHES AND [MILLIMETERS]

UNLESS OTHERWISE NOTED TOLERANCES ARE:
DECIMALS DIAMETER

DRAWN	C. ZUNIGA	8/20/99
CHECKED	<i>[Signature]</i>	8/24/99
OR. DRAWN	C. JONES	9/17/92
APPROVALS		DATE

RF connectors
DIVISION OF RF INDUSTRIES, LTD.

7610 MIRAMAR RD
SAN DIEGO, CA 92126
(858) 549-6340
(858) 549-6345 FAX

RFB-1760

BNC FEMALE CRIMP, WALL PLATE MOUNT

ITEM	DESCRIPTION	QTY	MATERIAL	FINISH
4	FERRULE	1	BRASS	NICKEL
3	DIELECTRIC	1	DELRIN	NONE
2	CONTACT	1	BRASS	GOLD
1	BODY	1	BRASS	NICKEL

SIZE	CABLE GROUP	DWG NO.	REV
A	D	8082	C
SCALE:	2:1	CAD FILE	13ARC B
		SHEET	1 OF 1