

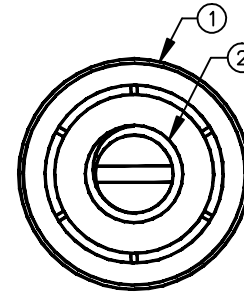
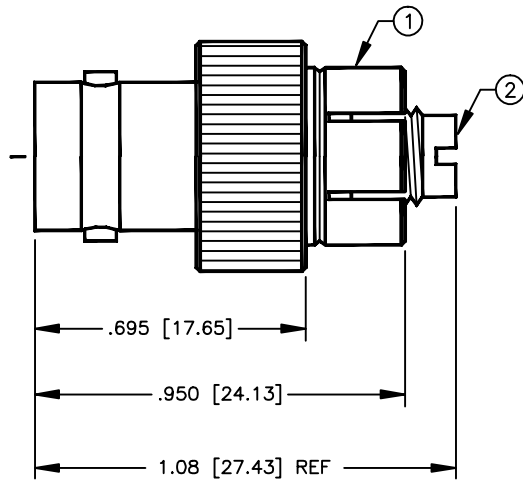
SPECIFICATION CONTROL DRAWING

THIS DRAWING CONTAINS INFORMATION PROPRIETARY TO RF INDUSTRIES, LTD. ANY UNAUTHORIZED USE OF THIS DRAWING IS EXPRESSLY PROHIBITED. ANY VIOLATION IS PUNISHABLE UNDER U.S. COPYRIGHT LAWS.

REV	DESCRIPTION	DWN	DATE	APPROVED
A	ENGINEERING RELEASE	KMM	12/16/98	R. RICE

000000

ALL DIMENSIONS ARE REFERENCE ONLY



EQUIVALENT TO: KENWOOD E04-0256-25

SPECIFICATIONS:

IMPEDANCE: 75 OHMS
INTERFACE PER MIL-STD-348A, SECTION 301.2

DIMENSIONS ARE IN INCHES AND [MILLIMETERS]
UNLESS OTHERWISE NOTED TOLERANCES ARE:
DECIMALS DIAMETER

RFconnectors
DIVISION OF RF INDUSTRIES, LTD.

7610 MIRAMAR RD
SAN DIEGO, CA 92126
(619)549-6340
(619)549-6345 FAX

RFB-1745

BNC FEMALE TO 1/4 X 32 STUD ADAPTER

ITEM	DESCRIPTION	QTY	MATERIAL	FINISH
3	DIELECTRIC	1	PTFE	NONE
2	CONTACT	1	BRASS	SILVER
1	BODY	1	BRASS	NICKEL

DRAWN K. MAXWELL	12/16/98
CHECKED	
ORJ DRAWN K. MAXWELL	12/16/98
APPROVALS	DATE

SIZE A	CABLE GROUP N/A	DWG NO. 8991	REV A
SCALE: 2:1	CAD FILE 13ARC B	SHEET 1 OF 1	