

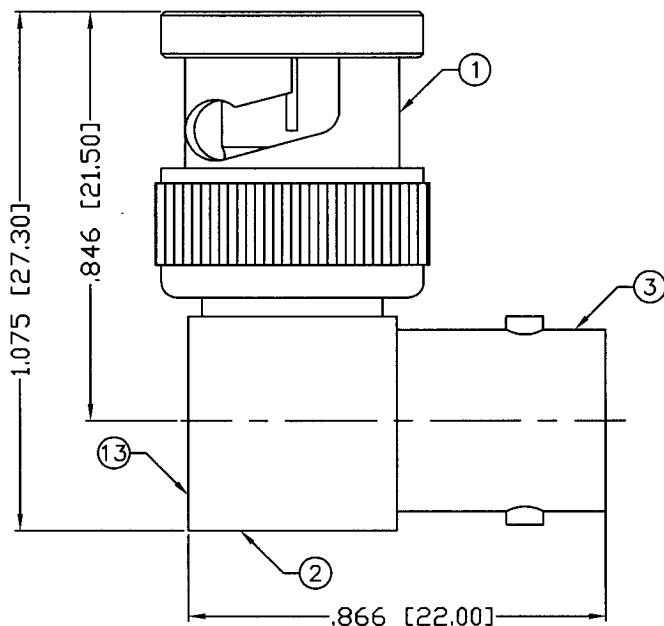
THIS DRAWING CONTAINS INFORMATION PROPRIETARY TO RF INDUSTRIES,
 ANY UNAUTHORIZED USE OF THIS DRAWING IS EXPRESSLY PROHIBITED
 WITHOUT WRITTEN PERMISSION FROM RF INDUSTRIES.
 ANY VIOLATION IS PUNISHABLE UNDER U.S. COPYRIGHT LAWS.

ALL DIMENSIONS ARE REFERENCE ONLY

PART NO.

RFB-1732

REV	DESCRIPTION	DWN	DATE	APPROVED
-	ENGINEERING RELEASE	CZS	9/29/98	JDMc



SPECIFICATIONS:

IMPEDANCE: 50 Ohms
 FREQUENCY RANGE: 0-2 GHz
 WORKING VOLTAGE: 500 V rms Max. @ Sea Level
 INSULATION RESISTANCE: 5k M Ohms min.
 TEMPERATURE RANGE: -65°C TO 85°C

1	SHELL	1	BRASS	NICKEL, 100μ"
2	BODY	1	BRASS	NICKEL, 100μ"
3	BNC BODY	1	BRASS	NICKEL, 100μ"
4	INSULATOR	1	PTFE	----
5	CONTACT	1	PHOS BRONZE	GOLD, 3μ"
6	PRESS WASHER	1	BRASS	NICKEL, 100μ"
7	INSULATOR	1	PTFE	----
8	GASKET	1	RUBBER	----
9	RETAINING RING	1	BRASS	NICKEL, 100μ"
10	SPRING	1	SK-5	NICKEL, 200μ"
11	WASHER	1	BRASS	NICKEL, 100μ"
12	PIN	1	BRASS	GOLD, 3μ"
13	BACK COVER	1	BRASS	NICKEL, 100μ"
14				
#	DESCRIPTION	QTY	MATERIAL	FINISH

008974	
DRAWN C. ZUNIGA	4/9/02
CHECKED <i>[Signature]</i>	9-11-02
ORJ DRAWN C. ZUNIGA	4/9/02
APPROVALS	DATE

UNLESS OTHERWISE SPECIFIED:
 1. REMOVE ALL BURRS
 2. BREAK ALL CORNERS & EDGES .005 R. MAX.
 3. CHAMFER 1ST & LAST THREADS 45°
 4. SURFACE ROUGHNESS 63 FINISH MIL-STD-10
 5. DIAMETERS ON COMMON CENTERS TO BE CONCENTRIC WITHIN .002 T.I.R.
 6. ALL DIMENSIONS ARE AFTER PLATING.

DIMENSIONS ARE IN INCHES AND [MILLIMETERS]
 UNLESS OTHERWISE NOTED TOLERANCES ARE:

DECIMALS	DIAMETER
.xxx±.003 [.08]	.xxx±.001 [.03]
.xx±.005 [.13]	.xx±.003 [.08]



7610 MIRAMAR RD
 SAN DIEGO, CA 92126
 (858) 549-6340
 (858) 549-6345 FAX

BNC PLUG TO JACK

RIGHT ANGLE, ADAPTER

SIZE A	CABLE GROUP N/A	DWG NO. RFB-1732	REV -
SCALE: NTS		CAD FILE OUTLINE	SHEET 1 OF 1