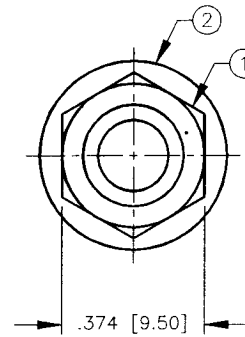
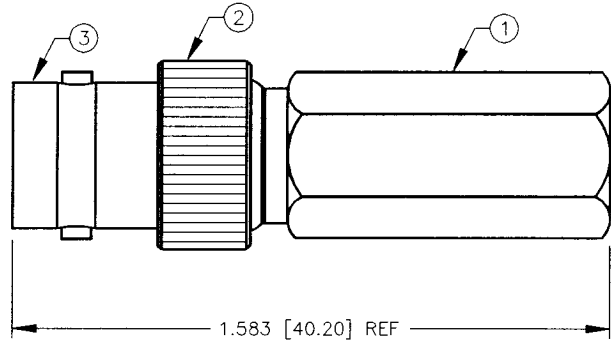


# ENVELOPE / ASSEMBLY DRAWING

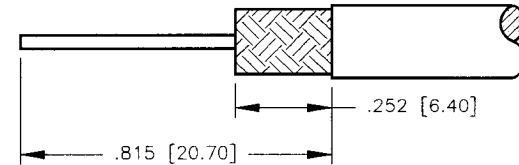
008974

SPECIFICATION CONTROL DRAWING THIS DRAWING CONTAINS INFORMATION PROPRIETARY TO RF INDUSTRIES, LTD. ANY UNAUTHORIZED USE OF THIS DRAWING IS EXPRESSLY PROHIBITED. ANY VIOLATION IS PUNISHABLE UNDER U.S. COPYRIGHT LAWS.	REV	DESCRIPTION	DWN	DATE	APPROVED
	A	ENGINEERING RELEASE	CZS	12/8/97	R. RICE

ALL DIMENSIONS ARE REFERENCE ONLY



SCREW CONNECTOR ONTO CABLE IN A CLOCKWISE DIRECTION UNTIL IT STOPS



## SPECIFICATIONS:

IMPEDANCE: 75 OHMS  
 WORKING VOLTAGE: 500 VRMS @ SEA LEVEL  
 FREQUENCY RANGE: 0-1 GHz  
 FOR RG-59, 59A, 59B, 62, 62A, 62C 71, 140 & 210/U,  
 BELDEN 8221, 8241, 8241A, 8254, 8255, 8263, 9169,  
 9204, 9228, 9244, 9269 & 9862 CABLE

DIMENSIONS ARE IN INCHES AND [MILLIMETERS]

UNLESS OTHERWISE NOTED TOLERANCES ARE:

DECIMALS      DIAMETER

**RF connectors**  
 DIVISION OF RF INDUSTRIES, LTD.

7610 MIRAMAR RD  
 SAN DIEGO, CA 92126  
 (619)549-6340  
 (619)549-6345 FAX

## RFB-1722

BNC FEMALE TWIST-ON JACK

DRAWN C. ZUNIGA	12/8/97
CHECKED <i>C. Zuniga</i>	12/8/97
ORIG. DRAWN C. ZUNIGA	12/8/97

SIZE A	CABLE GROUP D	DWG NO. 8816	REV A
-----------	------------------	-----------------	----------

ITEM	DESCRIPTION	QTY	MATERIAL	FINISH
6	DIELECTRIC	1	DELRIN	NONE
5	DIELECTRIC	1	DELRIN	NONE
4	PIN	1	BRASS	SILVER
3	BNC PRESS FIT BODY	1	BRASS	NICKEL
2	BODY	1	BRASS	NICKEL
1	HEX BODY	1	BRASS	NICKEL

APPROVALS	DATE	SCALE: 2:1	CAD FILE 13ARC B	SHEET 1 OF 1
-----------	------	------------	------------------	--------------