

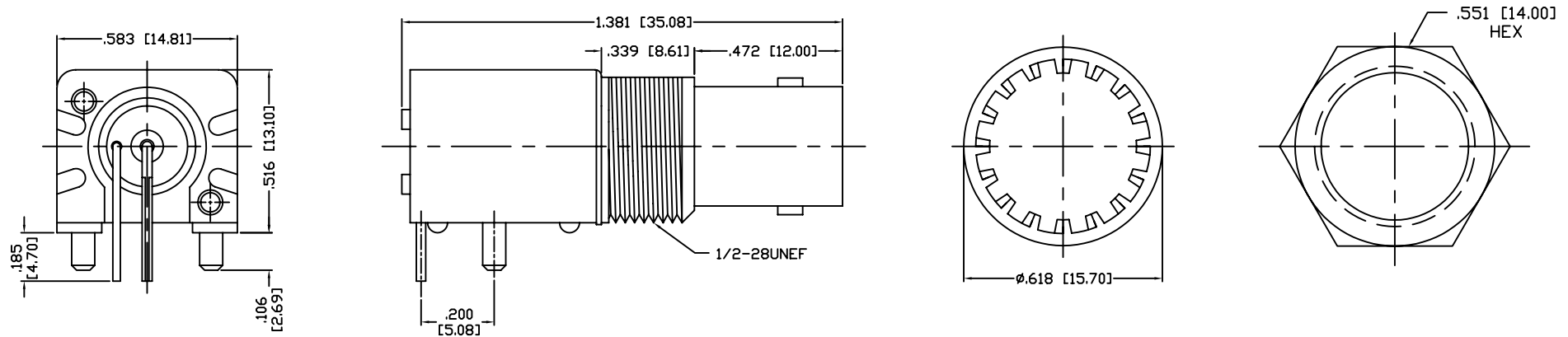
THIS DRAWING CONTAINS INFORMATION PROPRIETARY TO RF INDUSTRIES.
 ANY UNAUTHORIZED USE OF THIS DRAWING IS EXPRESSLY PROHIBITED
 WITHOUT WRITTEN PERMISSION FROM RF INDUSTRIES.
 ANY VIOLATION IS PUNISHABLE UNDER U.S. COPYRIGHT LAWS.

ALL DIMENSIONS ARE REFERENCE ONLY

PART NO.

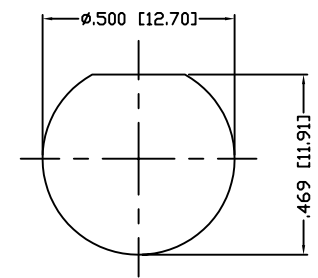
RFB-1712-W

REV	DESCRIPTION	DWN	DATE	APPROVED
-	ENGINEERING RELEASE	CZS	9/5/96	JDMc

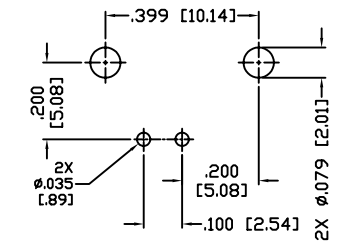


SPECIFICATIONS:

IMPEDANCE: 75 Ohms
 FREQUENCY RANGE: 0-4 GHz
 WORKING VOLTAGE: 1500 V rms Max. @ Sea Level
 INSULATION RESISTANCE: 5k M Ohms min.



RECOMMENDED PANEL CUTOUT



RECOMMENDED PCB LAYOUT

1	BNC BODY	1	ZINC DIECAST	NICKEL, 100 μ "	000320	
2	CONTACT	1	PHOS. BRONZE	GOLD / TIN		
3	INSULATOR	1	POLYPROPYLENE	---		
4	BODY	1	PBT	WHITE		
5	MOUNTING POST	1	BRASS	TIN		
6	GROUND PIN	1	COPPER	TIN		
7	LOCK WASHER	1	SK-5	NICKEL, 100 μ "		
8	HEX NUT	1	BRASS	NICKEL, 100 μ "		
9						
10						
11						
12						
13						
14						
#	DESCRIPTION	QTY	MATERIAL	FINISH	APPROVALS	DATE

UNLESS OTHERWISE SPECIFIED:

DIMENSIONS ARE IN INCHES AND [MILLIMETERS]
 UNLESS OTHERWISE NOTED TOLERANCES ARE:
 DECIMALS DIAMETER

RFconnectors
 DIVISION OF RF INDUSTRIES, LTD.

7610 MIRAMAR RD
 SAN DIEGO, CA 92126
 (858) 549-6340
 (858) 549-6345 FAX

BNC JACK

75 OHM, RIGHT ANGLE, PCB MOUNT, LOW PROFILE

SIZE	CABLE GROUP	DWG NO.	REV
A	N/A	RFB-1712-W	-
SCALE:	NTS	CAD FILE	OUTLINE
		SHEET 1 OF 1	