

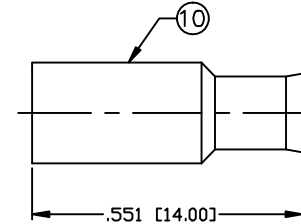
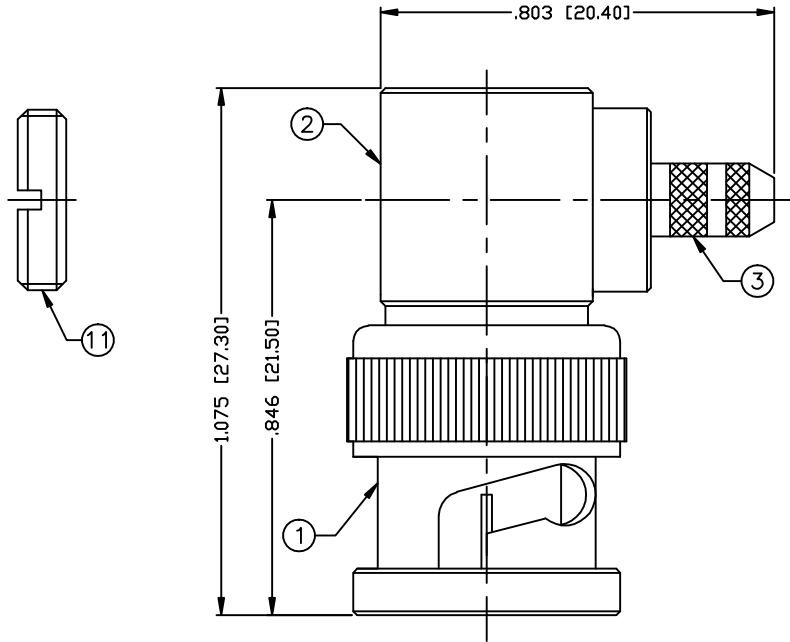
THIS DRAWING CONTAINS INFORMATION PROPRIETARY TO RF INDUSTRIES,
 ANY UNAUTHORIZED USE OF THIS DRAWING IS EXPRESSLY PROHIBITED
 WITHOUT WRITTEN PERMISSION FROM RF INDUSTRIES.
 ANY VIOLATION IS PUNISHABLE UNDER U.S. COPYRIGHT LAWS.

ALL DIMENSIONS ARE REFERENCE ONLY

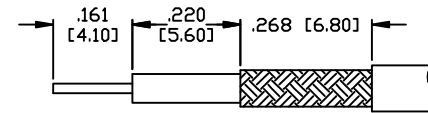
PART NO.

RFB-1710-S

| REV | DESCRIPTION | DWN | DATE | APPROVED |
|-----|--|-----|---------|----------|
| - | ENGINEERING RELEASE | CZS | 9/22/98 | JDMc |
| A | CHANGED DIELECTRIC TO PTFE FROM DELRIN | JDM | 9/22/98 | JDMc |
| | | | | |



RECOMMENDED CRIMP DIE: .178"



RECOMMENDED STRIPPING DIMENSIONS

SPECIFICATIONS:

IMPEDANCE: 75 Ohms
 FREQUENCY RANGE: 0-1 GHz
 WORKING VOLTAGE: 500 V rms @ sea level
 TEMPERATURE RANGE: -65°C TO 85°C
 INSULATION RESISTANCE: 5k M Ohms min.
 FOR RG-161, 179, 179A, 187 & 187A/U CABLE

| 1 | SHELL | 1 | BRASS | NICKEL, 100 μ" | 008974 | |
|----|----------------|-----|----------|----------------|------------------------|----------|
| 2 | BODY | 1 | BRASS | NICKEL, 100 μ" | | |
| 3 | FERRULE STUD | 1 | BRASS | NICKEL, 100 μ" | | |
| 4 | INSULATOR | 1 | PTFE | WHITE | | |
| 5 | PIN | 1 | BRASS | GOLD, 3 μ" | | |
| 6 | GASKET | 1 | RUBBER | --- | | |
| 7 | RETAINING RING | 1 | BRASS | NICKEL, 100 μ" | | |
| 8 | SPRING | 1 | SK5 | NICKEL, 200 μ" | | |
| 9 | WASHER | 1 | BRASS | NICKEL, 100 μ" | | |
| 10 | FERRULE | 1 | BRASS | NICKEL, 100 μ" | | |
| 11 | SCREW CAP | 1 | BRASS | NICKEL, 100 μ" | | |
| 12 | | | | | DRAWN JDM | 10/16/07 |
| 13 | | | | | CHECKED | |
| 14 | | | | | ORJ DRAWN C. ZUNIGA | 5/18/04 |
| # | DESCRIPTION | QTY | MATERIAL | FINISH | APPROVALS | DATE |

UNLESS OTHERWISE SPECIFIED:

DIMENSIONS ARE IN INCHES
 AND [MILLIMETERS]
 UNLESS OTHERWISE NOTED
 TOLERANCES ARE:
 DECIMALS DIAMETER

RFconnectors
 DIVISION OF RF INDUSTRIES, LTD.

7610 MIRAMAR RD
 SAN DIEGO, CA 92126
 (858) 549-6340
 (858) 549-6345 FAX

BNC PLUG, CRIMP

RIGHT ANGLE

| SIZE | CABLE GROUP | DWG NO. | REV |
|------------|-------------|------------------|--------------|
| A | S | RFB-1710-S | A |
| SCALE: NTS | | CAD FILE OUTLINE | SHEET 1 OF 1 |