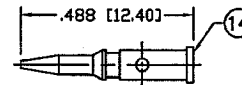
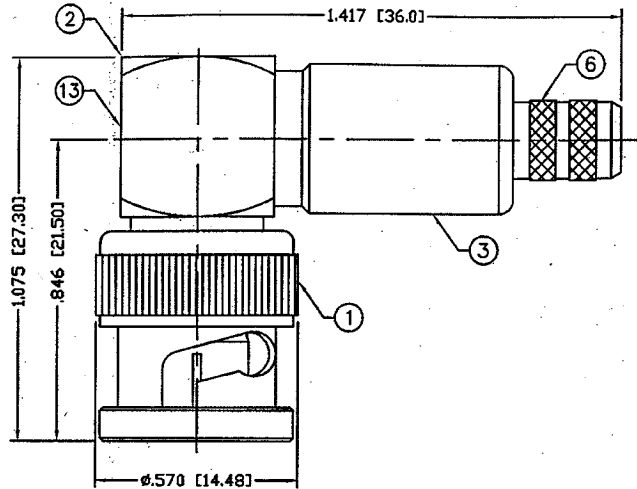


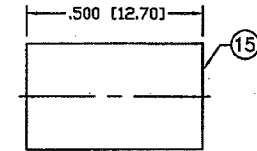
THIS DRAWING CONTAINS INFORMATION PROPRIETARY TO RF INDUSTRIES,  
 ANY UNAUTHORIZED USE OF THIS DRAWING IS EXPRESSLY PROHIBITED  
 WITHOUT WRITTEN PERMISSION FROM RF INDUSTRIES.  
 ANY VIOLATION IS PUNISHABLE UNDER U.S. COPYRIGHT LAWS.

ALL DIMENSIONS ARE REFERENCE ONLY

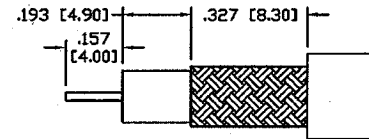
PART NO.		<b>RFB-1710-D</b>		
REV	DESCRIPTION	DWN	DATE	APPROVED
1	ENGINEERING RELEASE	CZS	03/15/01	JDMc



CRIMP DIE SIZE: .068



CRIMP DIE SIZE: .255



RECOMMENDED CABLE STRIPPING DIMENSIONS

**SPECIFICATIONS:**

IMPEDANCE: 75 Ohms  
 FREQUENCY RANGE: 0-1 GHz  
 VOLTAGE RATING: 500 VOLTS PEAK  
 DIELECTRIC WITHSTANDING VOLTAGE: 1500 Vrms  
 TEMPERATURE RANGE: -65°C TO 85°C  
 FOR RG-59, 59A, 59B, 62, 62A, 62C/U; ALPHA 9059, 9062,  
 9830, 9840, 9845; BELDEN 8221, 8241, 9169, 9204,  
 9228; CANARE LV-61S; CommScope 5555, 5560, 5563

1	SHELL	1	BRASS	NICKEL, 100μ"
2	BNC BODY	1	BRASS	NICKEL, 100μ"
3	PRESS BODY	1	BRASS	NICKEL, 100μ"
4	INSULATOR	1	DELTRIN	----
5	CONTACT	1	P. B.	GOLD, 3μ"
6	FERRULE STUD	1	BRASS	NICKEL, 100μ"
7	INSULATOR	1	PTFE	----
8	GASKET	1	RUBBER	RED
9	RETAINING RING	1	BRASS	NICKEL, 100μ"
10	SPRING	1	SK5	NICKEL, 100μ"
11	WASHER	1	BRASS	NICKEL, 100μ"
12	PIN	1	BRASS	GOLD, 3μ"
13	COVER	1	BRASS	NICKEL, 100μ"
14	PIN	1	BRASS	GOLD, 3μ"
15	FERRULE	1	BRASS	NICKEL, 100μ"
#	DESCRIPTION	QTY	MATRL	FINISH

008974	
DRAWN	3/28/01
C. ZUNIGA	
CHECKED	
JMc	
ORJ DRAWN	3/28/01
C. ZUNIGA	
APPROVALS	DATE

UNLESS OTHERWISE SPECIFIED:

- REMOVE ALL BURRS
- BREAK ALL CORNERS & EDGES .005 R. MAX.
- CHAMFER 1ST & LAST THREADS 45°
- SURFACE ROUGHNESS 63 FINISH MIL-STD-10
- DIAMETERS ON COMMON CENTERS TO BE CONCENTRIC WITHIN .002 T.I.R.
- ALL DIMENSIONS ARE AFTER PLATING.

DIMENSIONS ARE IN INCHES AND [MILLIMETERS]  
 UNLESS OTHERWISE NOTED  
 TOLERANCES ARE:

DECIMALS	DIAMETER
.xxx±.003 [.08]	.xxx±.001 [.03]
.xx±.005 [.13]	.xx±.003 [.08]

**RF connectors**  
 DIVISION OF RF INDUSTRIES, LTD.

7610 MIRAMAR RD  
 SAN DIEGO, CA 92126  
 (858) 549-6340  
 (858) 549-6345 FAX

**BNC PLUG R/A CRIMP**

SIZE	CABLE GROUP	DWG NO.	REV
A	D	RFB-1710-D	-
SCALE: NTS		CAD FILE OUTLINE	SHEET 1 OF 1