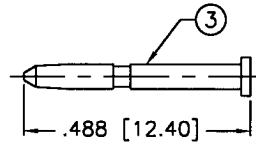
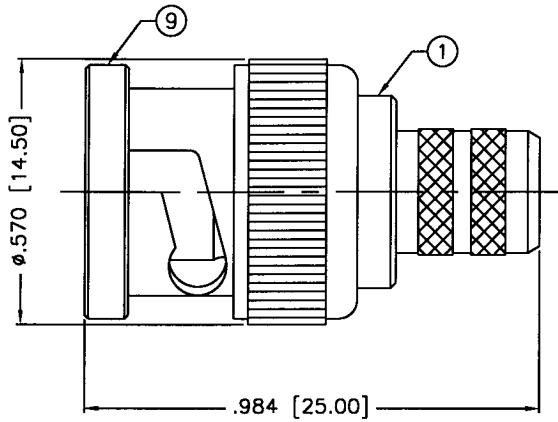


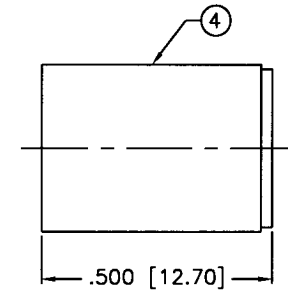
THIS DRAWING CONTAINS INFORMATION PROPRIETARY TO RF INDUSTRIES.
 ANY UNAUTHORIZED USE OF THIS DRAWING IS EXPRESSLY PROHIBITED
 WITHOUT WRITTEN PERMISSION FROM RF INDUSTRIES.
 ANY VIOLATION IS PUNISHABLE UNDER U.S. COPYRIGHT LAWS.

ALL DIMENSIONS ARE REFERENCE ONLY

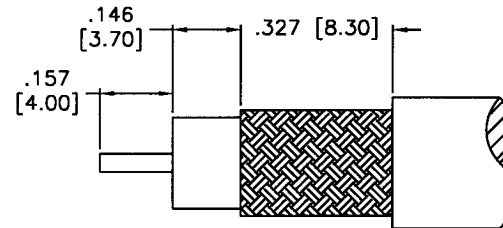
PART NO.		RFB-1707-Q1		
REV	DESCRIPTION	DWN	DATE	APPROVED
-	ENGINEERING RELEASE	CZS	11/7/02	JDMc



RECOMMENDED CRIMP DIE: .042"



RECOMMENDED CRIMP DIE: .324"



RECOMMENDED STRIPPING DIMENSIONS

SPECIFICATIONS:

IMPEDANCE: 75 Ohms
 FREQUENCY RANGE: 0-4 GHz
 VOLTAGE RATING: 500 Vrms
 VSWR: 1500 Vrms
 RG-6/U TYPE PLENUM; BELDEN 1695A, 82120, 82248, 87120,
 89120, 89248; CommScope 2278, 2278V, 2279, 2279K, 2279V

1	BODY	1	BRASS	NICKEL, 100 MICRO	008974
2	INSULATOR	1	PTFE	---	
3	PIN	1	BRASS	GOLD, 3 MICRO	
4	FERRULE	1	COPPER	NICKEL, 100 MICRO	
5	RETAINING RING	1	BRASS	NICKEL, 100 MICRO	
6	GASKET	1	RUBBER	---	
7	SPRING	1	SK-5	NICKEL, 200 MICRO	
8	WASHER	1	BRASS	NICKEL, 100 MICRO	
9	SHELL	1	BRASS	NICKEL, 100 MICRO	

DRAWN	C. ZUNIGA	11/7/02
CHECKED	<i>JDM</i>	11-7-02
ORJ DRAWN	C. ZUNIGA	12/12/00
APPROVALS		DATE

UNLESS OTHERWISE SPECIFIED:
 1. REMOVE ALL BURRS
 2. BREAK ALL CORNERS & EDGES .005 R. MAX.
 3. CHAMFER 1ST & LAST THREADS 45°
 4. SURFACE ROUGHNESS 63 FINISH MIL-STD-10
 5. DIAMETERS ON COMMON CENTERS TO BE CONCENTRIC WITHIN .002 T.I.R.
 6. ALL DIMENSIONS ARE AFTER PLATING.

DIMENSIONS ARE IN INCHES AND [MILLIMETERS]
 UNLESS OTHERWISE NOTED TOLERANCES ARE:

DECIMALS	DIAMETER
.xxx±.003 [.08]	.xxx±.001 [.03]
.xx±.005 [.13]	.xx±.003 [.08]

RF connectors
 DIVISION OF RF INDUSTRIES, LTD.

7610 MIRAMAR RD
 SAN DIEGO, CA 92126
 (858) 549-6340
 (858) 549-6345 FAX

BNC PLUG, CRIMP

SIZE	CABLE GROUP	DWG NO.	REV
A	Q1	RFB-1707-Q1	-
SCALE:	NTS	CAD FILE	OUTLINE
SHEET 1		OF 1	