

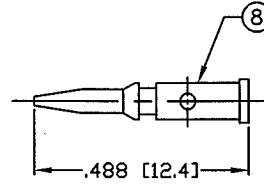
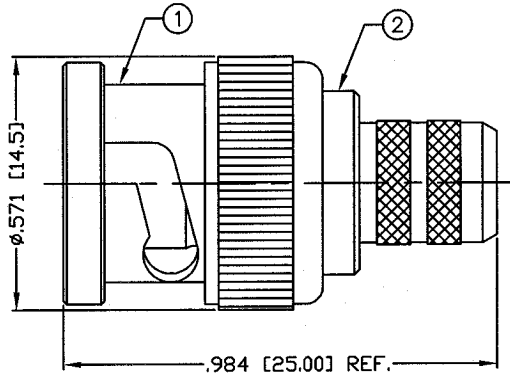
THIS DRAWING CONTAINS INFORMATION PROPRIETARY TO RF INDUSTRIES.  
 ANY UNAUTHORIZED USE OF THIS DRAWING IS EXPRESSLY PROHIBITED  
 WITHOUT WRITTEN PERMISSION FROM RF INDUSTRIES.  
 ANY VIOLATION IS PUNISHABLE UNDER U.S. COPYRIGHT LAWS.

ALL DIMENSIONS ARE REFERENCE ONLY

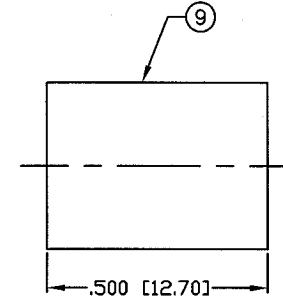
PART NO.

**RFB-1707-G**

| REV | DESCRIPTION         | DWN | DATE     | APPROVED |
|-----|---------------------|-----|----------|----------|
| -   | ENGINEERING RELEASE | GGG | 10/31/00 | JDMc     |
|     |                     |     |          |          |
|     |                     |     |          |          |



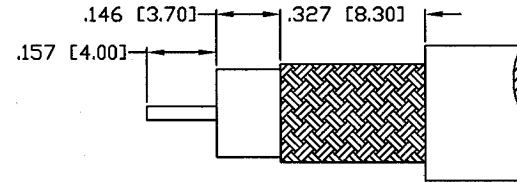
RECOMMENDED CRIMP DIE: .068



RECOMMENDED CRIMP DIE: .324

**SPECIFICATIONS:**

IMPEDANCE: 50 Ohms  
 FREQUENCY RANGE: 0-4 GHz  
 VSWR: 1.3 Max.  
 WORKING VOLTAGE: 500 V rms @ sea level  
 TEMPERATURE RANGE: -65°C TO 85°C  
 INSULATION RESISTANCE: 5k M Ohms min.  
 FOR BELDEN 8281, 8281B, 8281F, 9231 & WE 724 CABLE



RECOMMENDED STRIPPING DIMENSIONS

| 1  | SHELL          | 1   | BRASS   | NICKEL, 100 μ" |
|----|----------------|-----|---------|----------------|
| 2  | BODY           | 1   | BRASS   | NICKEL, 100 μ" |
| 3  | INSULATOR      | 1   | DELTRIN | ----           |
| 4  | GASKET         | 1   | RUBBER  | ----           |
| 5  | RETAINING RING | 1   | BRASS   | NICKEL, 100 μ" |
| 6  | SPRING         | 1   | SK5     | NICKEL, 200 μ" |
| 7  | WASHER         | 1   | BRASS   | NICKEL, 100 μ" |
| 8  | PIN            | 1   | BRASS   | GOLD, 3 μ"     |
| 9  | FERRULE        | 1   | BRASS   | NICKEL, 100 μ" |
| 10 |                |     |         |                |
| 11 |                |     |         |                |
| 12 |                |     |         |                |
| 13 |                |     |         |                |
| 14 |                |     |         |                |
| #  | DESCRIPTION    | QTY | MATRL   | FINISH         |

|           |               |
|-----------|---------------|
| 008974    |               |
| DRAWN     | G. GALLEGOS   |
| CHECKED   | JDMc 10-18-01 |
| ORJ DRAWN | G. GALLEGOS   |
| APPROVALS | DATE          |
|           | 10/18/01      |

UNLESS OTHERWISE SPECIFIED:  
 1. REMOVE ALL BURRS  
 2. BREAK ALL CORNERS & EDGES .005 R. MAX.  
 3. CHAMFER 1ST & LAST THREADS 45°  
 4. SURFACE ROUGHNESS 63 FINISH MIL-STD-10  
 5. DIAMETERS ON COMMON CENTERS TO BE CONCENTRIC WITHIN .002 T.I.R.  
 6. ALL DIMENSIONS ARE AFTER PLATING.

DIMENSIONS ARE IN INCHES AND [MILLIMETERS]  
 UNLESS OTHERWISE NOTED TOLERANCES ARE:

| DECIMALS        | DIAMETER        |
|-----------------|-----------------|
| .XXX±.003 [.08] | .XXX±.001 [.03] |
| .XX±.005 [.13]  | .XX±.003 [.08]  |

**RF connectors**  
 DIVISION OF RF INDUSTRIES, LTD.

7610 MIRAMAR RD  
 SAN DIEGO, CA 92126  
 (858) 549-6340  
 (858) 549-6345 FAX

**BNC PLUG, CRIMP**

|            |             |                  |              |
|------------|-------------|------------------|--------------|
| SIZE       | CABLE GROUP | DWG NO.          | REV          |
| A          | G           | RFB-1707-G       | -            |
| SCALE: NTS |             | CAD FILE OUTLINE | SHEET 1 OF 1 |