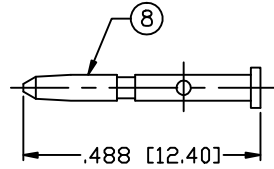
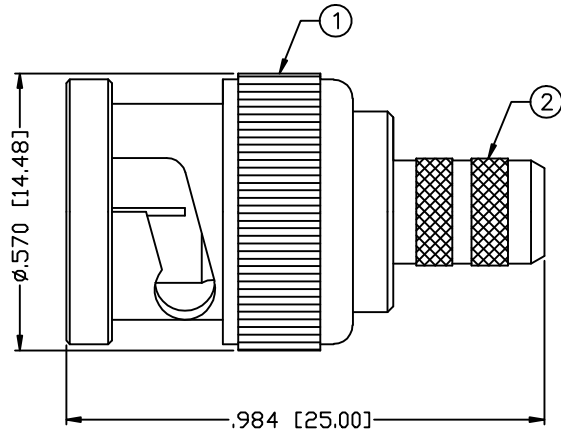


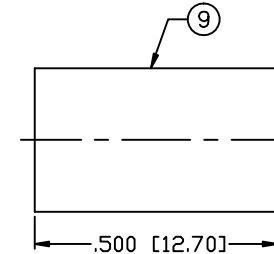
THIS DRAWING CONTAINS INFORMATION PROPRIETARY TO RF INDUSTRIES.
 ANY UNAUTHORIZED USE OF THIS DRAWING IS EXPRESSLY PROHIBITED
 WITHOUT WRITTEN PERMISSION FROM RF INDUSTRIES.
 ANY VIOLATION IS PUNISHABLE UNDER U.S. COPYRIGHT LAWS.

ALL DIMENSIONS ARE REFERENCE ONLY

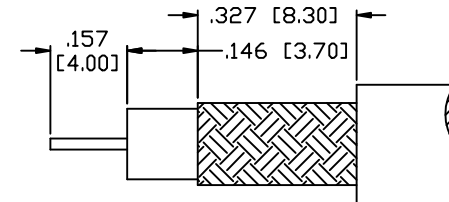
PART NO.		RFB-1707-2D		
REV	DESCRIPTION	DWN	DATE	APPROVED
-	ENGINEERING RELEASE	JDM	7/12/11	CZS



SOLDER OR USE CRIMP DIE: .042



CRIMP DIE: .255



RECOMMENDED STRIPPING INSTRUCTIONS

SPECIFICATIONS:

IMPEDANCE: 75 Ohms
 FREQUENCY RANGE: 0-4 GHz
 WORKING VOLTAGE: 500 V rms @ sea level
 TEMPERATURE RANGE: -65°C TO 85°C
 INSULATION RESISTANCE: 5k M Ohms min.
 (D) RG-59, 59A, 59B, 62, 62A, 62C/U: ALPHA9059, 9062, 9830, 9840, 9845; BELDEN 8221, 8241, 9169, 9204, 9228; CANARE LV-61S; CommScope 5555, 5560, 5563
 (D1) Belden1426A, 1505A, 8212, 8241F, 9100, 9110, 9165, 9171, 9240, 9259, 9265, 9274, 9275, 9659, YR2393D, CommScope553, 5565, 5552, 5550, 5567, 5571.

1	COUPLING NUT	1	BRASS	SILVER, 80 μ"	008974	DRAWN JDMc 7/12/11
2	BODY	1	BRASS	SILVER, 80 μ"		
3	INSULATOR	1	PTFE	----		
4	GASKET	1	RUBBER	RED		
5	RETAINING RING	1	BRASS	SILVER, 80 μ"		
6	SPRING	1	SK5	SILVER, 80 μ"		
7	WASHER	1	BRASS	SILVER, 80 μ"		
8	PIN	1	BRASS	GOLD, 3μ"		
9	FERRULE	1	BRASS	SILVER, 80 μ"		
10					CHECKED	
11						
12						
13					ORJ DRAWN C. ZUNIGA	1/09/02
14						
#	DESCRIPTION	QTY	MATRL	FINISH	APPROVALS	DATE

UNLESS OTHERWISE SPECIFIED:
 1. REMOVE ALL BURRS
 2. BREAK ALL CORNERS & EDGES .005 R. MAX.
 3. CHAMFER 1ST & LAST THREADS 45°
 4. SURFACE ROUGHNESS 63 FINISH MIL-STD-10
 5. DIAMETERS ON COMMON CENTERS TO BE CONCENTRIC WITHIN .002 T.I.R.
 6. ALL DIMENSIONS ARE AFTER PLATING.

DIMENSIONS ARE IN INCHES AND [MILLIMETERS]
 UNLESS OTHERWISE NOTED TOLERANCES ARE:
 DECIMALS DIAMETER
 .xxx±.003 [.08] .xxx±.001 [.03]
 .xx±.005 [.13] .xx±.003 [.08]

RF connectors
 DIVISION OF RF INDUSTRIES, LTD.
 7610 MIRAMAR RD
 SAN DIEGO, CA 92126
 (858) 549-6340
 (858) 549-6345 FAX

BNC PLUG, CRIMP

75 OHM

SIZE	CABLE GROUP	DWG NO.	REV
A	D & D1	RFB-1707-2D	-
SCALE: NTS		CAD FILE OUTLINE	SHEET 1 OF 1