

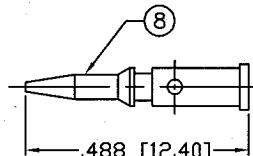
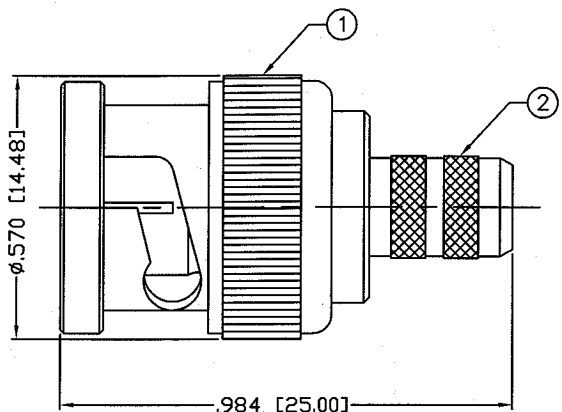
THIS DRAWING CONTAINS INFORMATION PROPRIETARY TO RF INDUSTRIES,  
 ANY UNAUTHORIZED USE OF THIS DRAWING IS EXPRESSLY PROHIBITED  
 WITHOUT WRITTEN PERMISSION FROM RF INDUSTRIES.  
 ANY VIOLATION IS PUNISHABLE UNDER U.S. COPYRIGHT LAWS.

ALL DIMENSIONS ARE REFERENCE ONLY

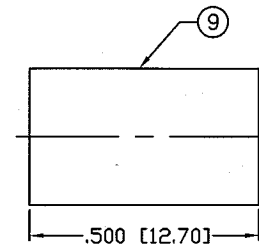
PART NO.

**RFB-1707-2**

REV	DESCRIPTION	DWN	DATE	APPROVED
-	ENGINEERING RELEASE	CZS	3/26/99	JDMc



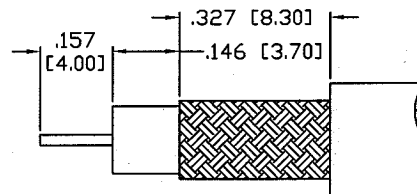
RECOMMENDED CRIMP DIE: .068



RECOMMENDED CRIMP DIE: .255

**SPECIFICATIONS:**

- IMPEDANCE: 75 Ohms
- FREQUENCY RANGE: 0-1 GHz
- VOLTAGE RATING: 500 Vrms
- DIELECTRIC WITHSTANDING VOLTAGE: 1500 Vrms
- (D) FOR RG-59, 59A, 59B, 62, 62A, 62C/U: ALPHA9059, 9062, 9830, 9840, 9845; BELDEN 8221, 8241, 9169, 9204, 9228; CANARE LV-61S; CommScope 5555, 5560, 5563
- (D1) FOR BELDEN 1426A, 1505A, 8212, 8241F, 9100, 9110, 9165, 9171, 9240, 9259, 9265, 9274, 9275, 9659, YR2393D; CommScope 5553, 5565, 55525550, 5567, 5571



RECOMMENDED STRIPPING DIMENSIONS

1	COUPLING NUT	1	BRASS	NICKEL, 100μ"
2	BODY	1	BRASS	NICKEL, 100μ"
3	INSULATOR	1	DELRIN	---
4	GASKET	1	RUBBER	RED
5	RETAINING RING	1	BRASS	NICKEL, 100μ"
6	SPRING	1	SK5	NICKEL, 100μ"
7	WASHER	1	BRASS	NICKEL, 100μ"
8	PIN	1	BRASS	GOLD, 3μ"
9	FERRULE	1	BRASS	NICKEL, 100μ"
10				
11				
12				
13				
14				
#	DESCRIPTION	QTY	MATRL	FINISH

008974		
DRAWN	C. ZUNIGA	3/6/01
CHECKED	JDMc	3-7-01
ORJ DRAWN	C. ZUNIGA	3/6/01
APPROVALS	DATE	

UNLESS OTHERWISE SPECIFIED:

- REMOVE ALL BURRS
- BREAK ALL CORNERS & EDGES .005 R. MAX.
- CHAMFER 1ST & LAST THREADS 45°
- SURFACE ROUGHNESS 63 FINISH MIL-STD-10
- DIAMETERS ON COMMON CENTERS TO BE CONCENTRIC WITHIN .002 T.I.R.
- ALL DIMENSIONS ARE AFTER PLATING.

DIMENSIONS ARE IN INCHES AND [MILLIMETERS]  
 UNLESS OTHERWISE NOTED TOLERANCES ARE:

DECIMALS	DIAMETER
.xxx±.003 [.08]	.xxx±.001 [.03]
.xx±.005 [.13]	.xx±.003 [.08]

7610 MIRAMAR RD  
 SAN DIEGO, CA 92126  
 (858) 549-6340  
 (858) 549-6345 FAX

**RF connectors**  
 DIVISION OF RF INDUSTRIES, LTD.

## BNC PLUG, CRIMP

75 OHM

SIZE	CABLE GROUP	DWG NO.	REV
A	D & D1	RFB-1707-2	-

SCALE: NTS      CAD FILE OUTLINE      SHEET 1 OF 1