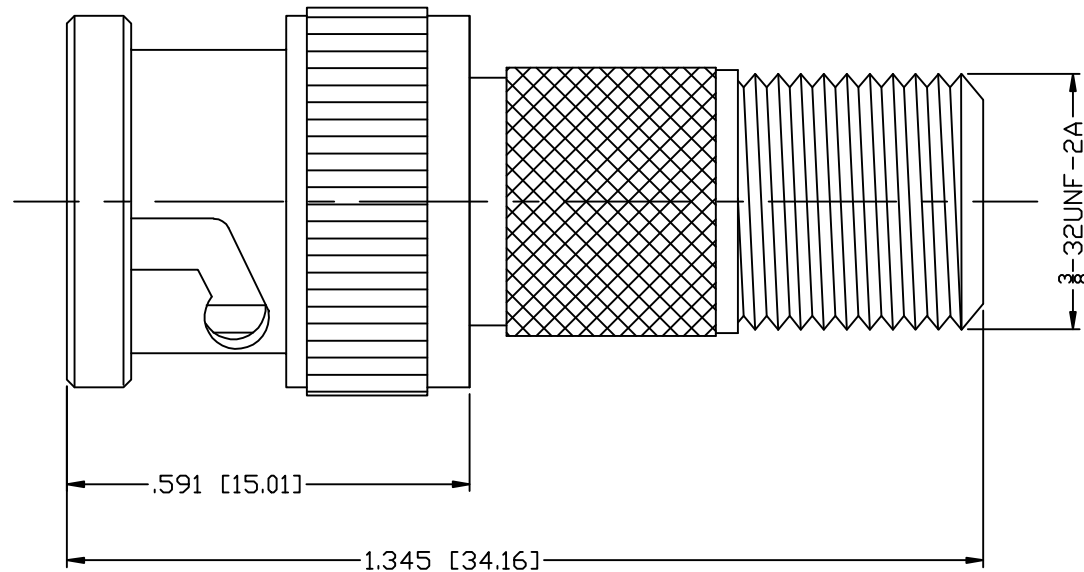


PART NO.

RFB-1155

REV	DESCRIPTION	DWN	DATE	APPROVED
-	ENGINEERING RELEASE	CZS	05/11/11	JDMc



8	SHELL	1	ZINC	NICKEL
7	WASHER	1	BRASS	NICKEL
6	SPRING	1	SK5	NICKEL
5	RETAINING RING	1	BRASS	NICKEL
4	GASKET	1	RUBBER	----
3	CONTACT	1	BRASS / BeCu	GOLD
2	INSULATOR	2	DELTRIN	----
1	BODY	1	ZINC	NICKEL
#	DESCRIPTION	QTY	MATERIAL	FINISH

CUSTOMER
OUTLINE DRAWINGALL DIMENSIONS
ARE REFERENCE ONLYUNLESS OTHERWISE SPECIFIED:
DIMENSIONS ARE IN INCHES
AND [MILLIMETERS]DRAWN
C. ZUNIGA 05/11/11
CHECKEDORJ DRAWN
C. ZUNIGA 05/11/11**RoHS
COMPLIANT**

PROPRIETARY AND CONFIDENTIAL
THIS DRAWING CONTAINS
INFORMATION PROPRIETARY TO
RF INDUSTRIES. ANY
UNAUTHORIZED USE OF THIS
DRAWING IS EXPRESSLY
PROHIBITED WITHOUT WRITTEN
PERMISSION FROM RF
INDUSTRIES. ANY VIOLATION IS
PUNISHABLE UNDER U.S.
COPYRIGHT LAWS.

RFconnectors7610 MIRAMAR RD.
SAN DIEGO, CA 92126
(858) 549-6340
DIVISION OF RF INDUSTRIES, LTD. (858) 549-6345 FAX**BNC PLUG TO F JACK
ADAPTER**

SIZE	CABLE GROUP	DWG NO.	REV
A	N/A	RFB-1155	—
SCALE: NTS		ENGINEERING ID: 000367	SHEET 1 OF 1