

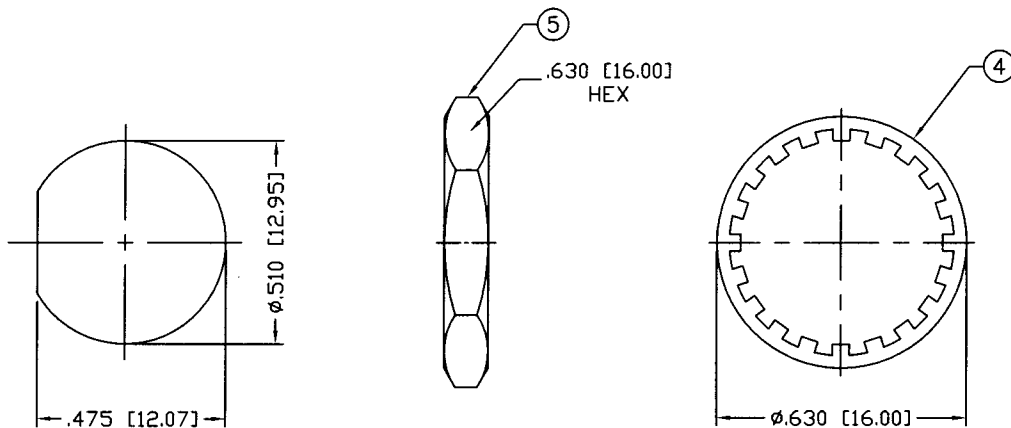
THIS DRAWING CONTAINS INFORMATION PROPRIETARY TO RF INDUSTRIES,  
 ANY UNAUTHORIZED USE OF THIS DRAWING IS EXPRESSLY PROHIBITED  
 WITHOUT WRITTEN PERMISSION FROM RF INDUSTRIES.  
 ANY VIOLATION IS PUNISHABLE UNDER U.S. COPYRIGHT LAWS.

ALL DIMENSIONS ARE REFERENCE ONLY

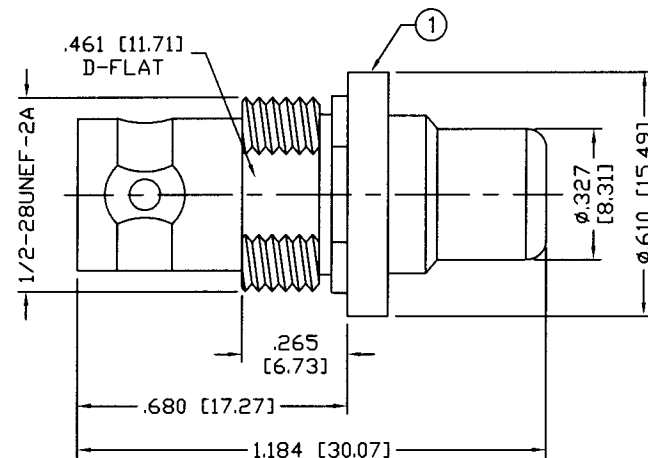
PART NO.

**RFB-1151**

REV	DESCRIPTION	DWN	DATE	APPROVED
-	ENGINEERING RELEASE	CZS	10/22/04	JDMc



RECOMMENDED PANEL CUTOUT



.150 [3.81] MAX. PANEL THICKNESS

**SPECIFICATIONS:**

IMPEDANCE: 50 Ohms  
 FREQUENCY RANGE: 0-4 GHz  
 WORKING VOLTAGE: 500 V rms @ sea level

1	BODY	1	BRASS	NICKEL, 100μ"	000494	UNLESS OTHERWISE SPECIFIED:
2	INSULATOR	1	DELTRIN	---		
3	CONTACT	1	BRASS	GOLD, 30μ"		
4	LOCK WASHER	1	BRASS	NICKEL, 100μ"		
5	HEX NUT	1	BRASS	NICKEL, 100μ"		
6	PRESS WASHER	1	BRASS	NICKEL, 100μ"		
7						
8						
9						
10						
11						
12						
13						
14						
#	DESCRIPTION	QTY	MATERIAL	FINISH	APPROVALS	DATE

DRAWN C. ZUNIGA 10/22/04  
 CHECKED [Signature] 10/22/04  
 ORJ DRAWN C. ZUNIGA 10/22/04

DIMENSIONS ARE IN INCHES AND [MILLIMETERS]  
 UNLESS OTHERWISE NOTED TOLERANCES ARE:  
 DECIMALS      DIAMETER

**RF connectors**  
 DIVISION OF RF INDUSTRIES, LTD.

7610 MIRAMAR RD  
 SAN DIEGO, CA 92126  
 (858) 549-6340  
 (858) 549-6345 FAX

**RCA JACK TO BNC BULKHEAD JACK**

SIZE	CABLE GROUP	DWG NO.	REV
A	N/A	RFB-1151	-
SCALE:	NTS	CAD FILE	OUTLINE
			SHEET 1 OF 1